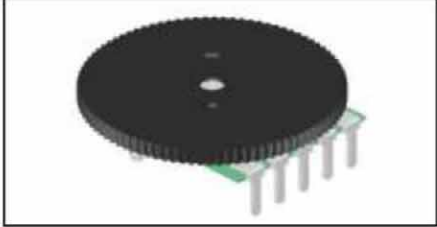


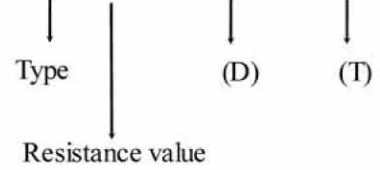
**10mm Ultra Thin Micro Rotary Potentiometers**

**UTM10PBD**

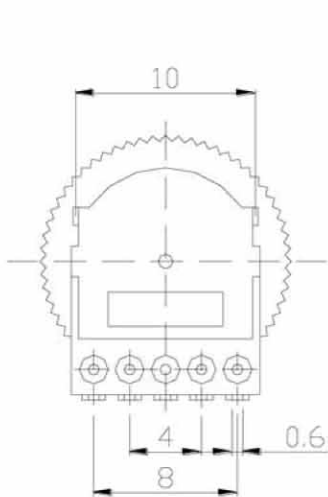


**Part Number**

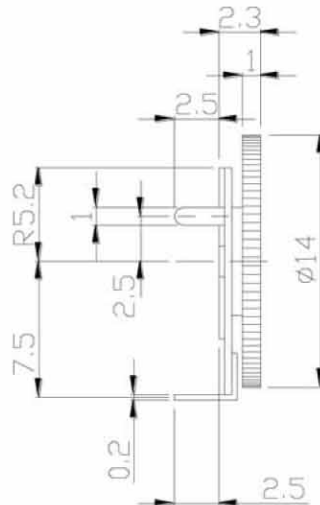
**UTM10PBD - B 50K / φ16 × 2.8**



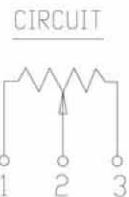
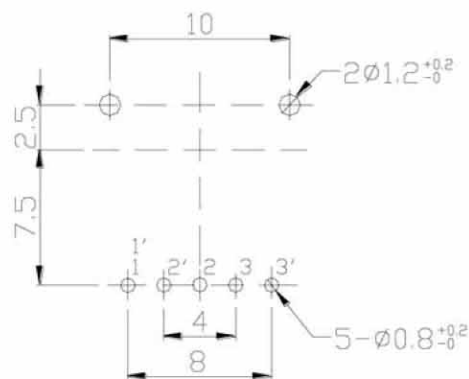
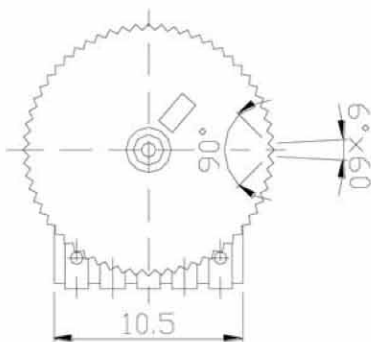
**Dimensions**



FULL C.C.W POSITION

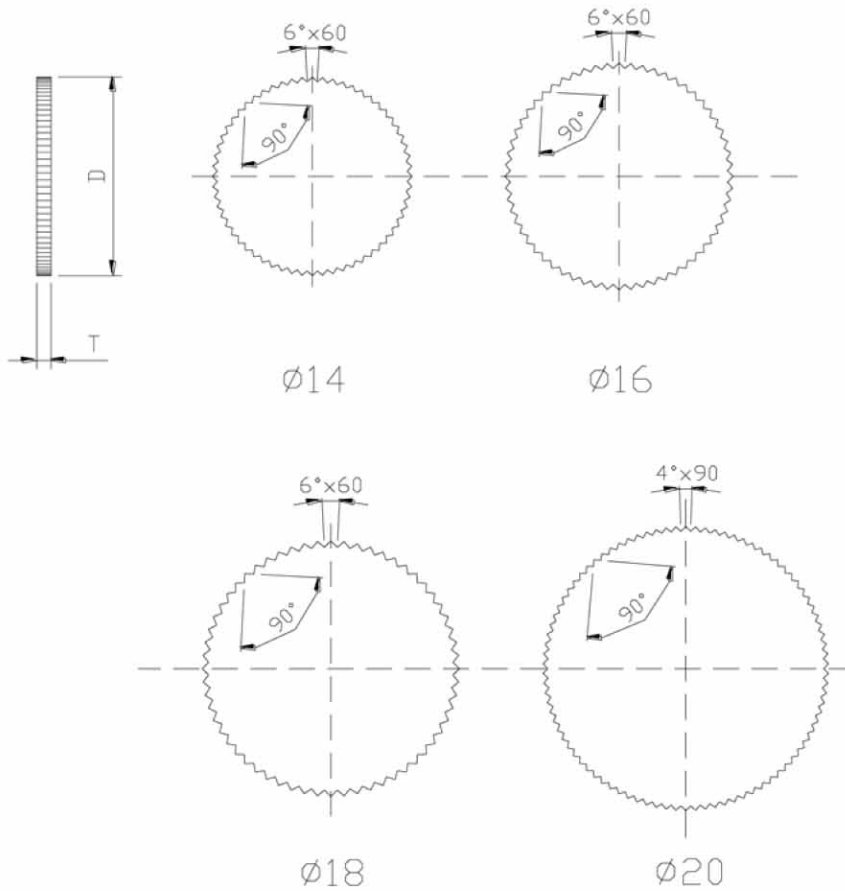


PCB LAYOUT



**10mm Ultra Thin Micro Rotary Potentiometers**

**Shaft Type**



(Unit:mm)

Outside Diameter (D)	14	14	16	16	16	18	18	18	20
Thickness (T)	1.0	2.0	1.0	2.0	2.8	1.0	2.0	2.8	2.0