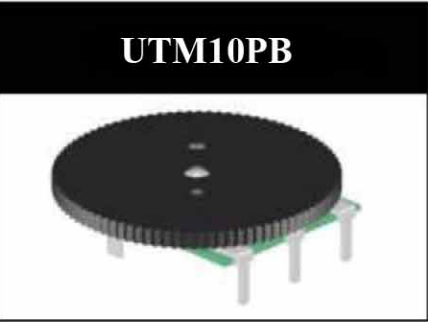
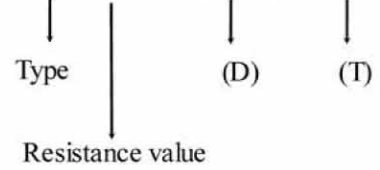


10mm Ultra Thin Micro Rotary Potentiometers

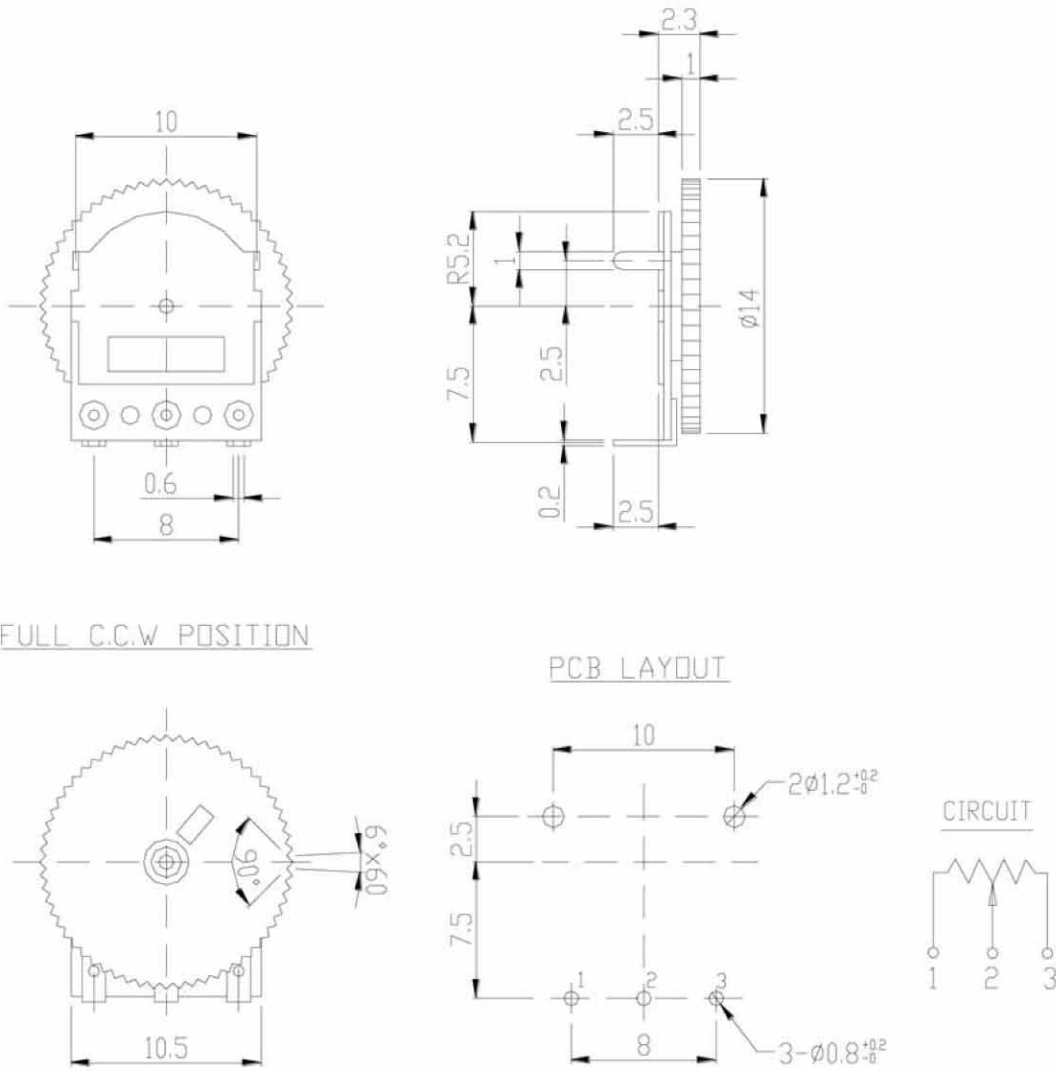


Part Number

UTM10PB - B 50K / φ16 × 2.8

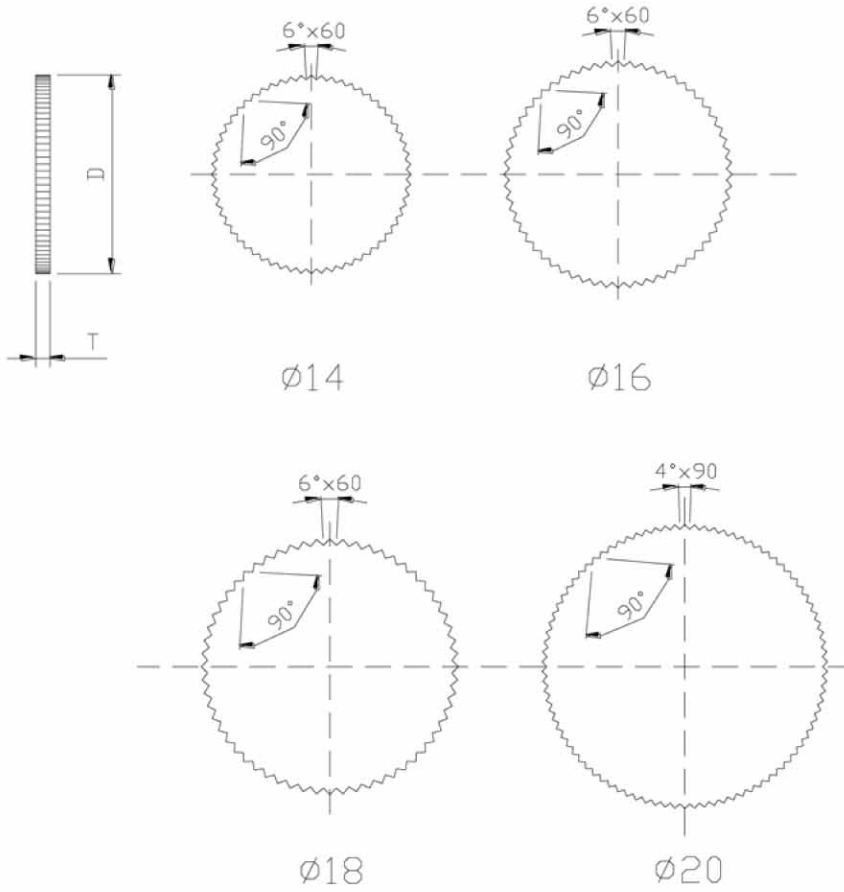


Dimensions



10mm Ultra Thin Micro Rotary Potentiometers

Shaft Type



(Unit:mm)

Outside Diameter (D)	ø14	ø14	ø16	ø16	ø16	ø18	ø18	ø18	ø20
Thickness (T)	1.0	2.0	1.0	2.0	2.8	1.0	2.0	2.8	2.0