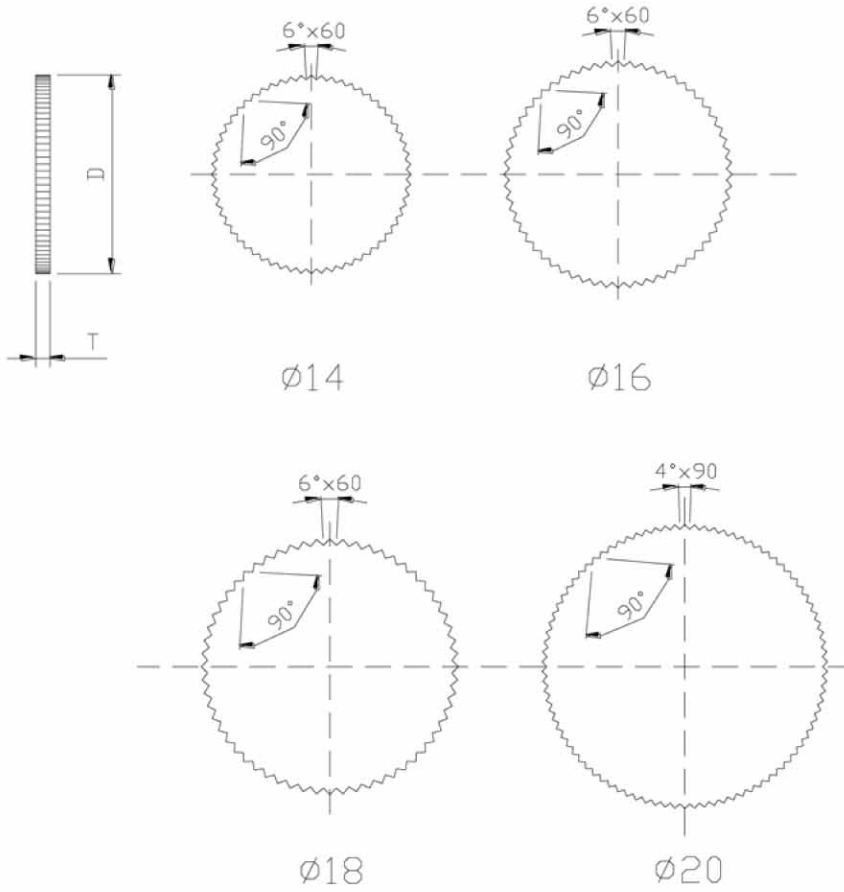


10mm Ultra Thin Micro Rotary Potentiometers

Shaft Type



(Unit:mm)

□ Outside Diameter (D)	ø14	ø14	ø16	ø16	ø16	ø18	ø18	ø18	ø20
Thickness (T)	1.0	2.0	1.0	2.0	2.8	1.0	2.0	2.8	2.0