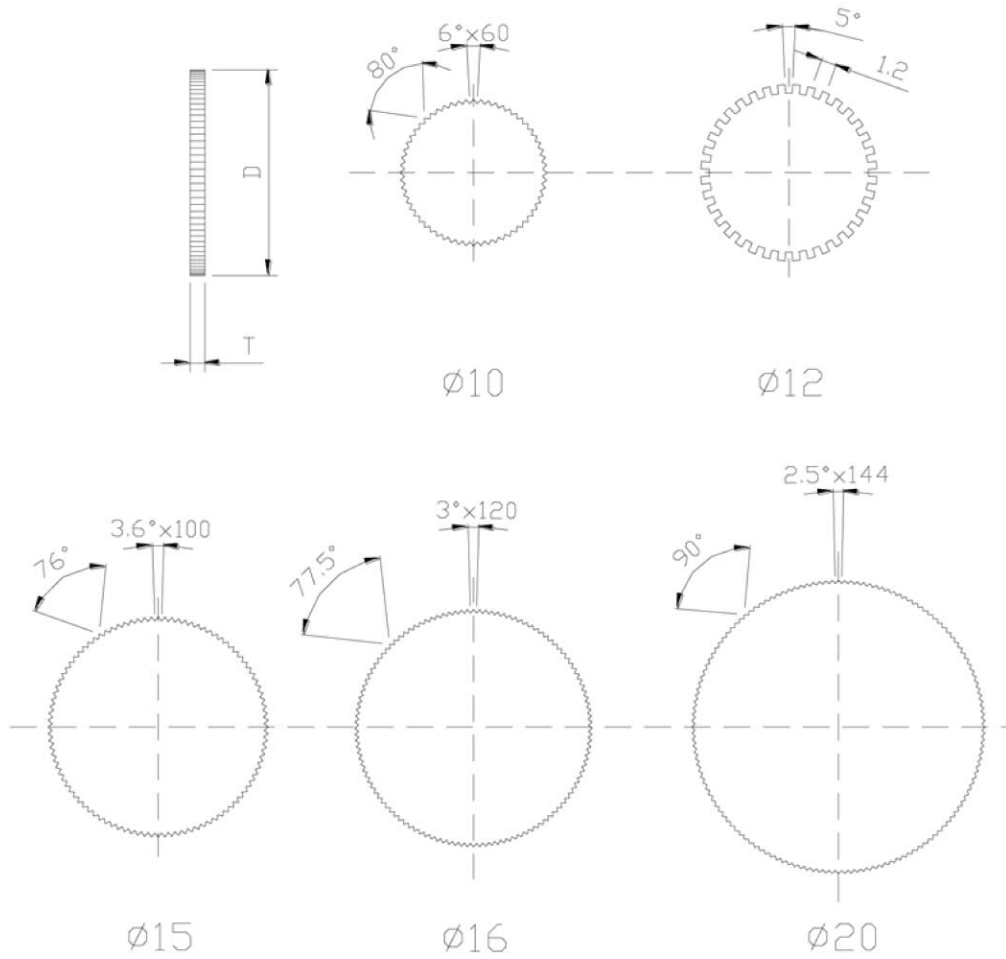


9mm Ultra Thin Micro Rotary Potentiometers

Shaft Type



(Unit:mm)

Outside Diameter(D)	Ø10	Ø12	Ø15	Ø16	Ø20
Thickness(T)	1.8	1.9	0.9	1.9	3.0