

24mm Sealed Type Rotary Potentiometer (Ceramic)



Part Number
STCE24ST – B 50K, L- 20 RE

↓

Taper

↓

Resistance value

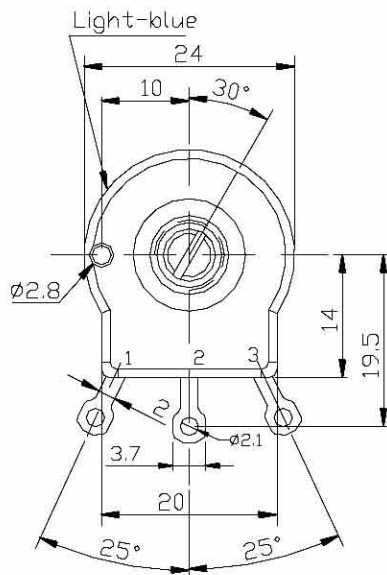
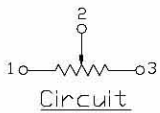
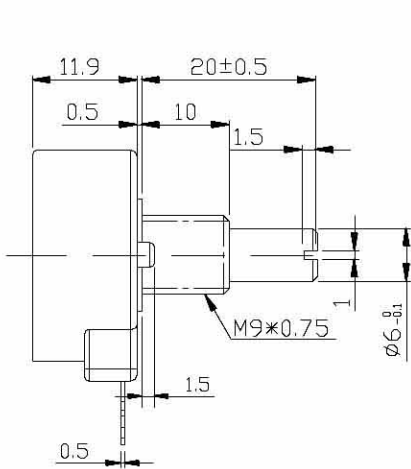
↓

Shaft Length

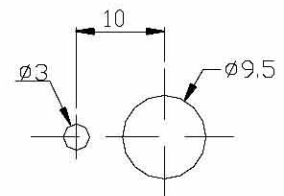
↓

Shaft Type

Dimensions



Full C.C.W Position



Mounting Hole Details