

9mm Snap-In Insulated Shaft Potentiometer



Part Number

SIS09VD – B 50K , L- 20 F /H=6.5

Taper

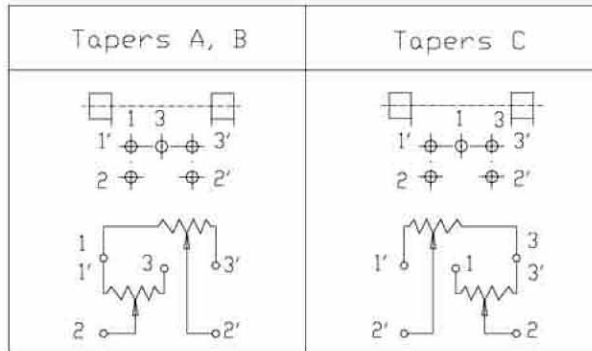
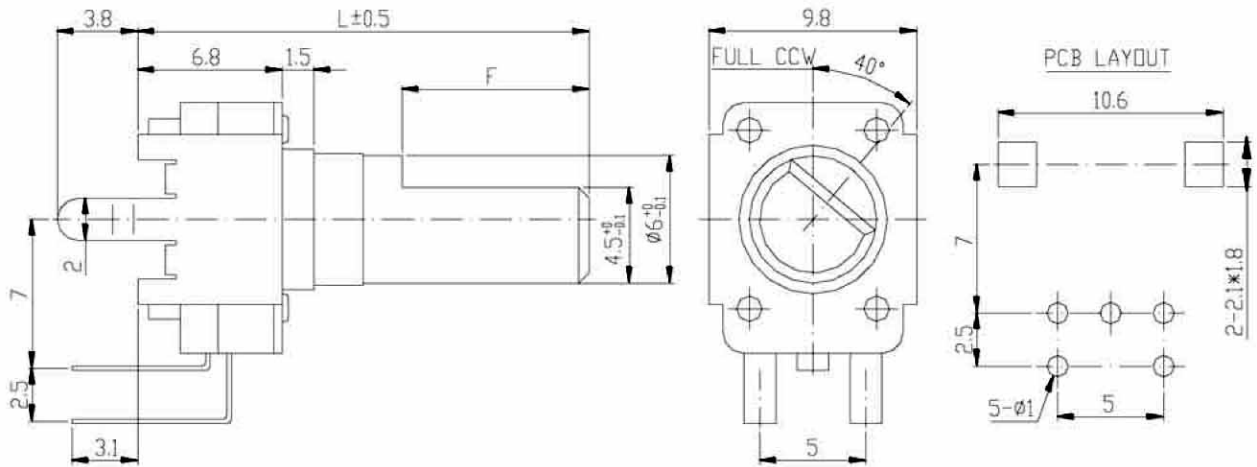
Shaft Length

High

Resistance value

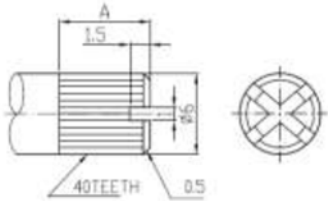
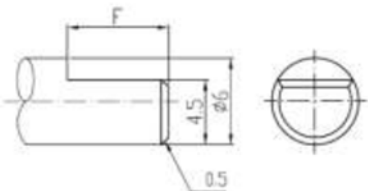
Shaft Type

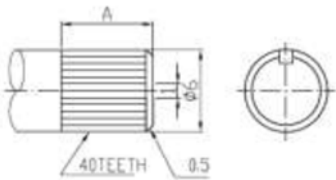
Dimensions



9mm Snap-In Insulated Shaft Potentiometer

Shaft Type

KT Type				F Type				
								
L	9.5	15	20	L	15	20	25	30
A	-	6	7	F	6	7	12	12

KT Type					
					
L	15	20	25	30	35
A	6	7	7	7	7