

9mm Snap-In Insulated Shaft Potentiometer



Part Number

SIS09VCD – B 50K , L- 20 F /H=6.5

↓

Taper

↓

Resistance value

↓

Shaft Length

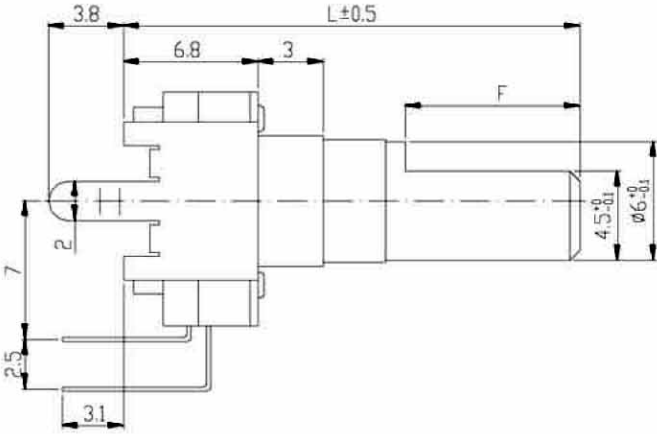
↓

Shaft Type

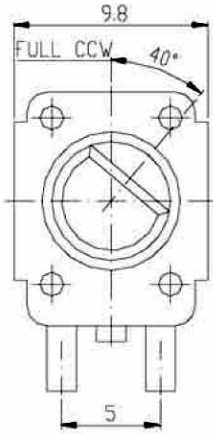
↓

High

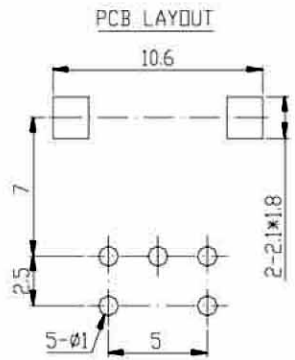
Dimensions



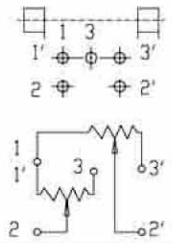
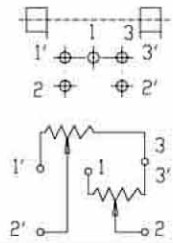
Key dimensions: 3.8, 6.8, 3, L±0.5, F, 4.5±0.1, Ø6±0.1, 7, 2, 2.5, 3.1



Key dimensions: 9.8, FULL CCW, 40°, 5

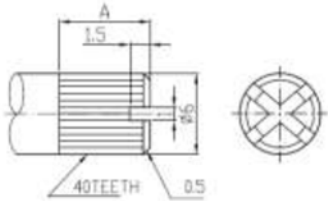
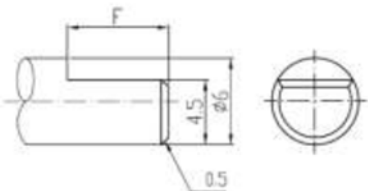


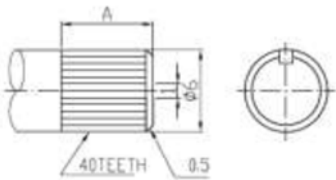
Key dimensions: 10.6, 7, 2.5, 5-Ø1, 5, 2-2.1±1.8

Tapers A, B	Tapers C
	

9mm Snap-In Insulated Shaft Potentiometer

Shaft Type

KT Type				F Type				
								
L	9.5	15	20	L	15	20	25	30
A	-	6	7	F	6	7	12	12

KT Type					
					
L	15	20	25	30	35
A	6	7	7	7	7