

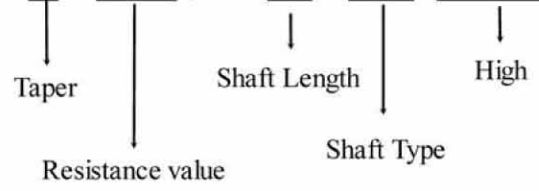
9mm Snap-In Insulated Shaft Potentiometer



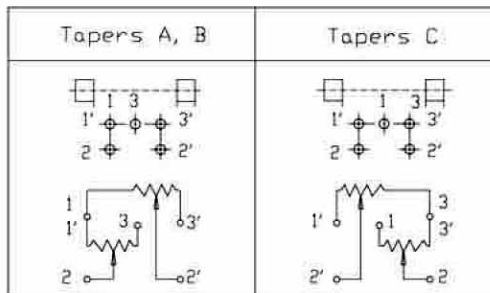
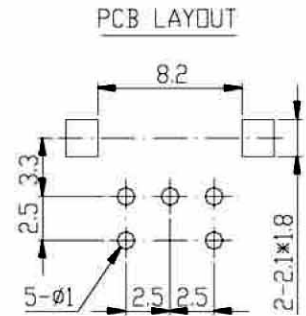
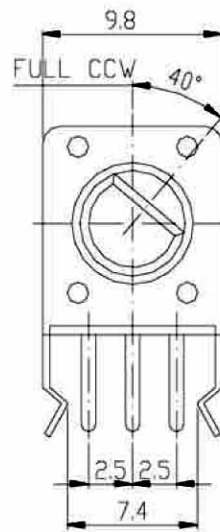
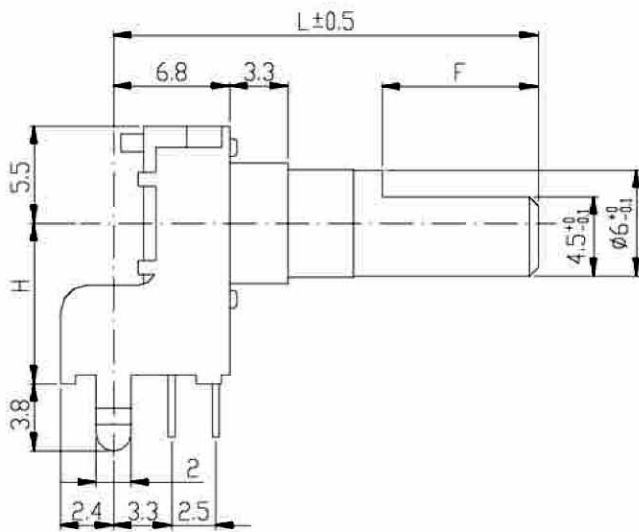
SIS09HCD

Part Number

SIS09HCD – B 50K , L- 20 F /H=6.5



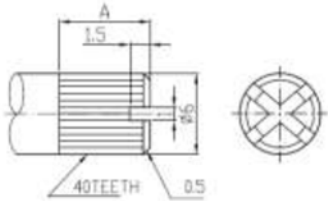
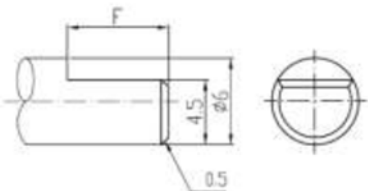
Dimensions

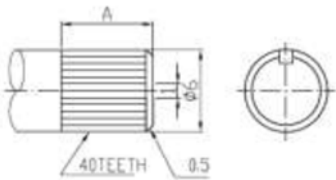


H	6.5	10	12.5
----------	------------	-----------	-------------

9mm Snap-In Insulated Shaft Potentiometer

Shaft Type

KT Type				F Type				
								
L	9.5	15	20	L	15	20	25	30
A	-	6	7	F	6	7	12	12

KT Type					
					
L	15	20	25	30	35
A	6	7	7	7	7