

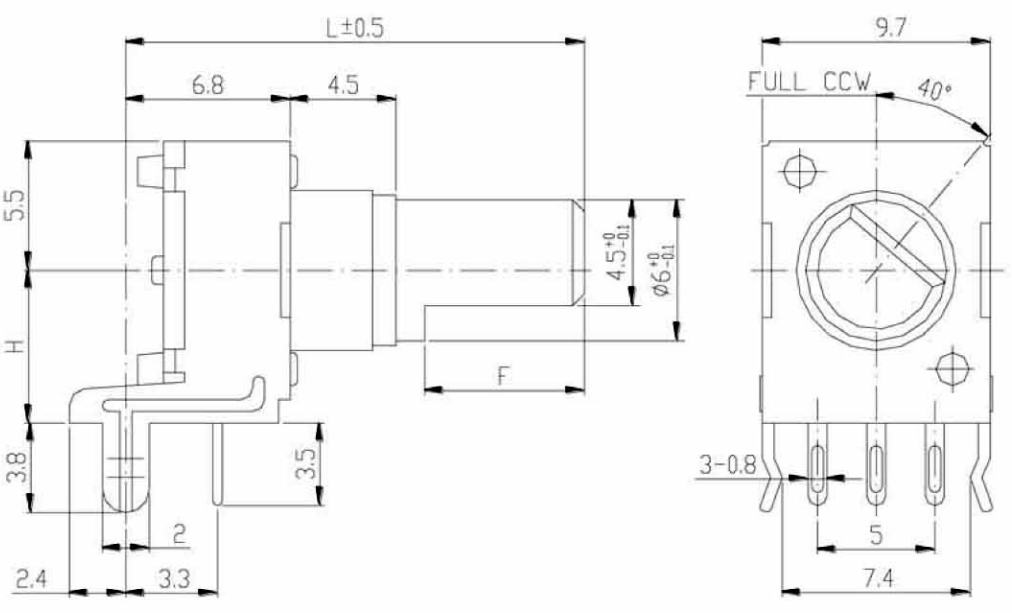
**9mm Snap-In Insulated Shaft Potentiometer**



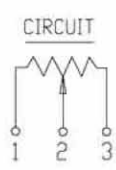
**Part Number**  
**SIS09HC - B 50K , L- 20 F /H=6.5**

Taper                      Resistance value                      Shaft Length                      Shaft Type                      High

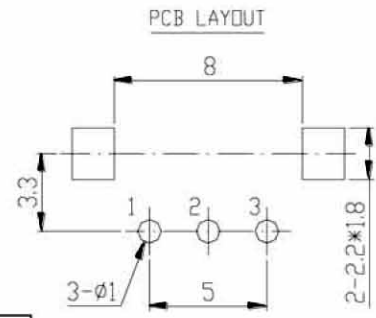
**Dimensions**



**CIRCUIT**



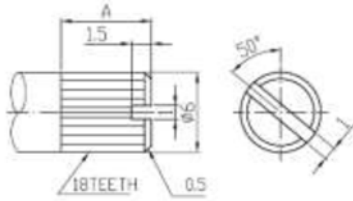
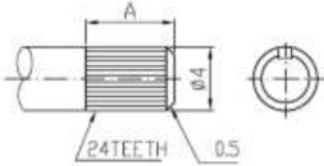
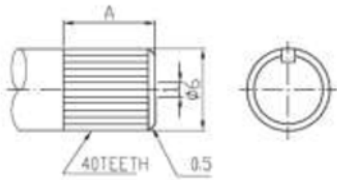
**PCB LAYOUT**

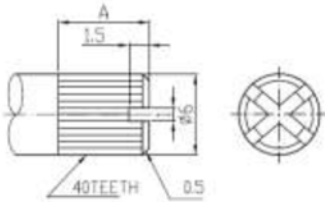
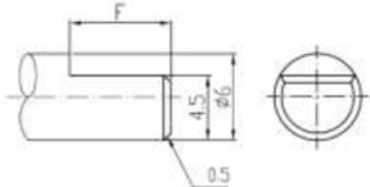


<b>H</b>	<b>6.5</b>	<b>10</b>	<b>12.5</b>
----------	------------	-----------	-------------

## 9mm Snap-In Insulated Shaft Potentiometer

**Shaft Type**

KC Type				KS Type				KQ Type			
											
<b>L</b>	<b>15</b>	<b>20</b>	<b>25</b>	<b>L</b>	<b>15</b>	<b>20</b>	<b>25</b>	<b>L</b>	<b>15</b>	<b>20</b>	<b>25</b>
<b>A</b>	<b>7</b>	<b>7</b>	<b>7</b>	<b>A</b>	<b>7</b>	<b>7</b>	<b>7</b>	<b>A</b>	<b>6</b>	<b>7</b>	<b>7</b>

KT Type					F Type			
								
<b>L</b>	<b>9</b>	<b>15</b>	<b>20</b>	<b>25</b>	<b>L</b>	<b>15</b>	<b>20</b>	<b>25</b>
<b>A</b>	<b>--</b>	<b>6</b>	<b>7</b>	<b>7</b>	<b>A</b>	<b>6</b>	<b>7</b>	<b>12</b>