

**9mm Snap-In Insulated Shaft Potentiometer**

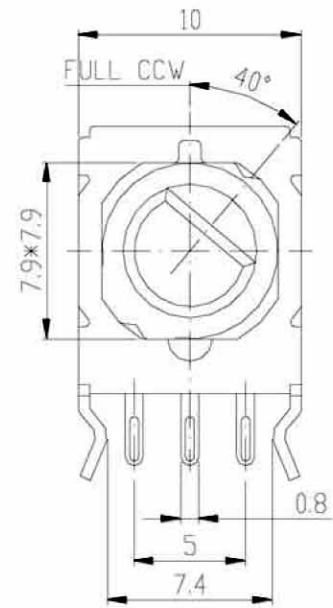
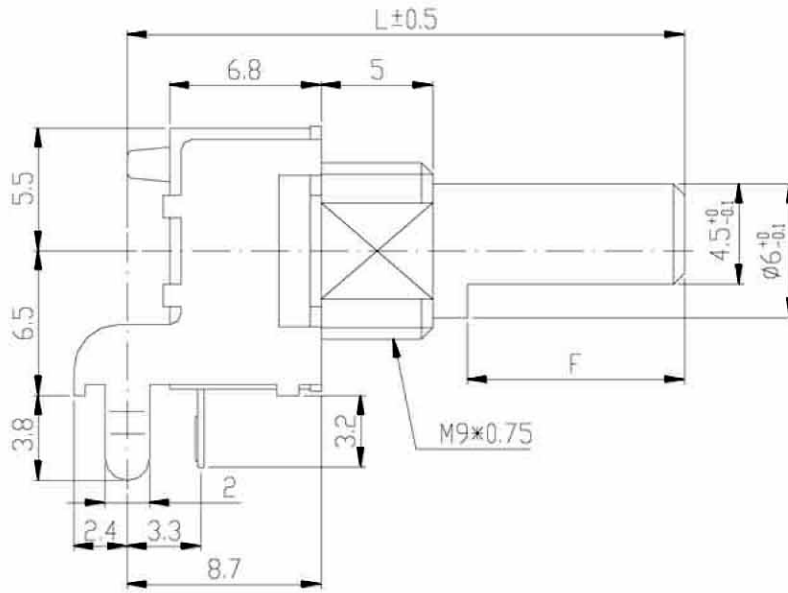


**Part Number**

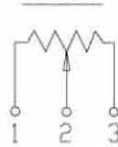
**SIS09HB – B 50K , L- 20 F**

↓ Taper                      ↓ Shaft Length                      ↓ Shaft Type  
 ↓ Resistance value

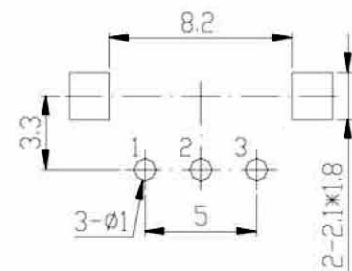
**Dimensions**



**CIRCUIT**

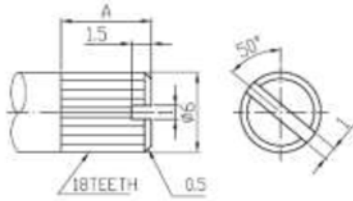
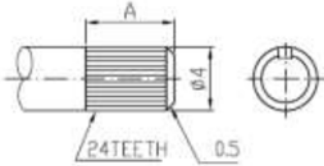
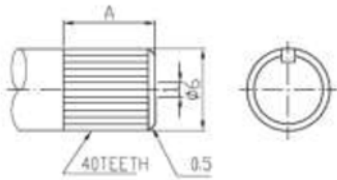


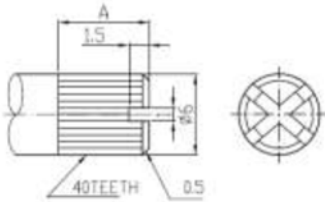
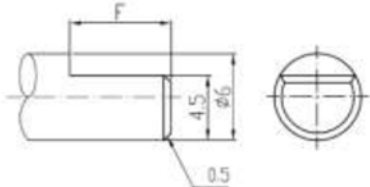
**PCB LAYOUT**



## 9mm Snap-In Insulated Shaft Potentiometer

**Shaft Type**

| KC Type   |           |           |           | KS Type   |           |           |           | KQ Type   |           |           |           |
|---|-----------|-----------|-----------|---|-----------|-----------|-----------|---|-----------|-----------|-----------|
|  |           |           |           |  |           |           |           |  |           |           |           |
| <b>L</b>  | <b>15</b> | <b>20</b> | <b>25</b> | <b>L</b>  | <b>15</b> | <b>20</b> | <b>25</b> | <b>L</b>  | <b>15</b> | <b>20</b> | <b>25</b> |
| <b>A</b>  | <b>7</b>  | <b>7</b>  | <b>7</b>  | <b>A</b>  | <b>7</b>  | <b>7</b>  | <b>7</b>  | <b>A</b>  | <b>6</b>  | <b>7</b>  | <b>7</b>  |

| KT Type   |           |           |           |           | F Type   |           |           |           |
|---|-----------|-----------|-----------|-----------|--|-----------|-----------|-----------|
|  |           |           |           |           |  |           |           |           |
| <b>L</b>  | <b>9</b>  | <b>15</b> | <b>20</b> | <b>25</b> | <b>L</b>   | <b>15</b> | <b>20</b> | <b>25</b> |
| <b>A</b>  | <b>--</b> | <b>6</b>  | <b>7</b>  | <b>7</b>  | <b>A</b>   | <b>6</b>  | <b>7</b>  | <b>12</b> |