

9mm Snap-In Insulated Shaft Potentiometer

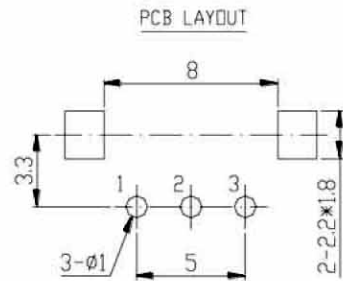
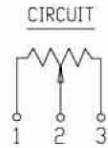
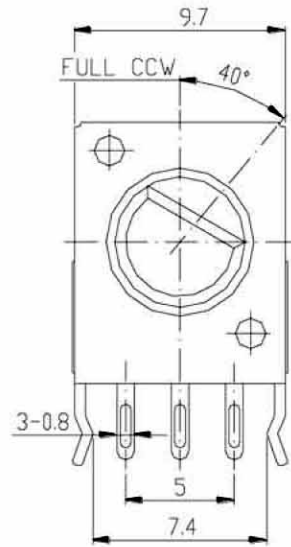
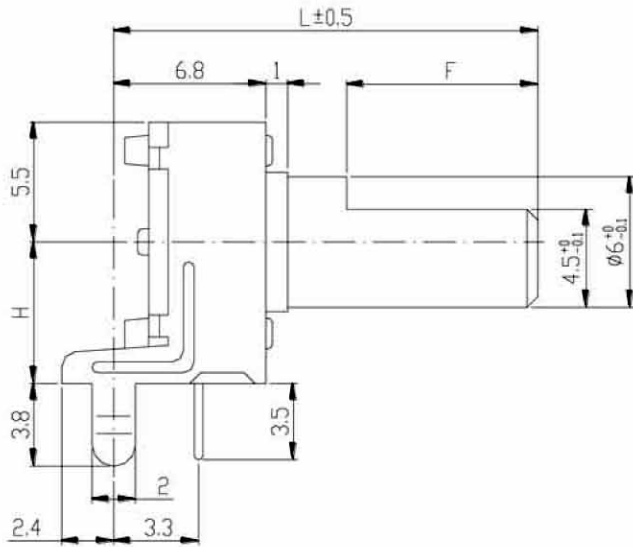


Part Number

SIS09H – B 50K , L- 20 F /H=6.5

Taper
Resistance value
Shaft Length
Shaft Type
High

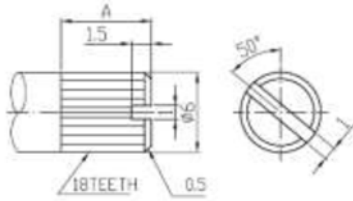
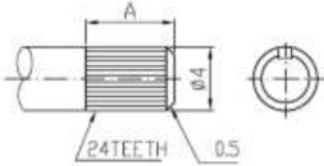
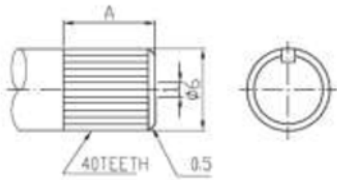
Dimensions

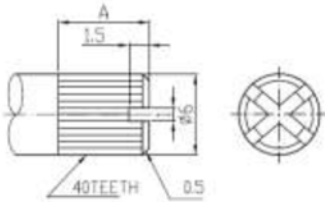
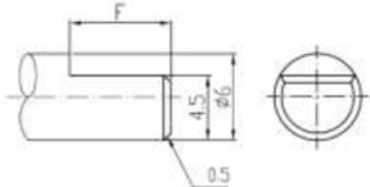


H	6.5	10	12.5
----------	------------	-----------	-------------

9mm Snap-In Insulated Shaft Potentiometer

Shaft Type

KC Type				KS Type				KQ Type			
											
L	15	20	25	L	15	20	25	L	15	20	25
A	7	7	7	A	7	7	7	A	6	7	7

KT Type					F Type			
								
L	9	15	20	25	L	15	20	25
A	--	6	7	7	A	6	7	12