

12mm Metal Shaft Rotary Potentiometers

RP12VMD

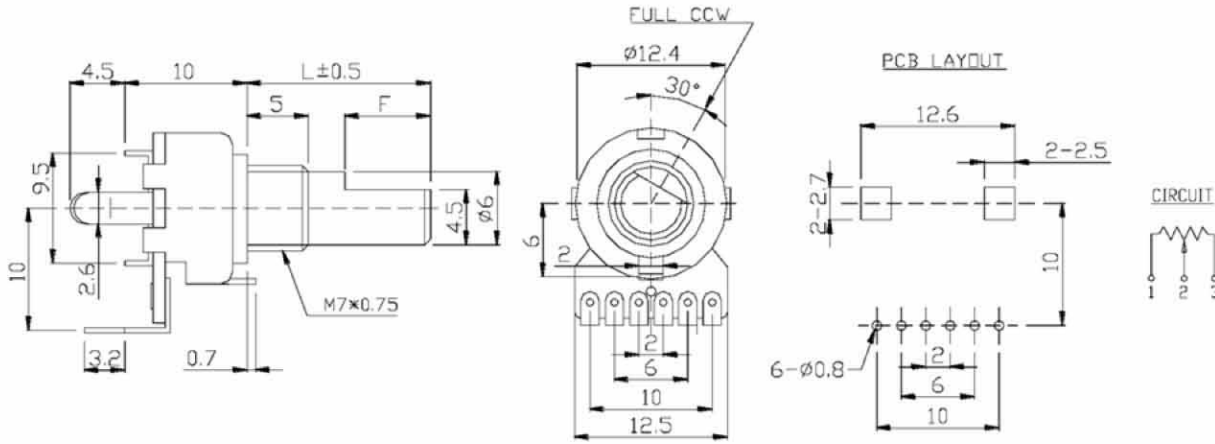


Part Number

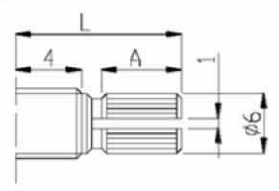
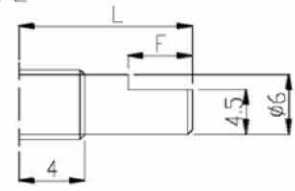
RP12VMD - **B** **50K**, L - **20** **F** / (M) or (P)

Taper Resistance Value Shaft Type
 (M)metal or (P)plastic
 Shaft Length

Dimensions



Shaft Type

KC TYPE:						F TYPE:					
											
L=	15	20	25	30	35	L=	15	20	25	30	35
A=	6	10	12	12	12	F=	7	12	12	12	12