

12mm Insulated Shaft Rotary Potentiometers

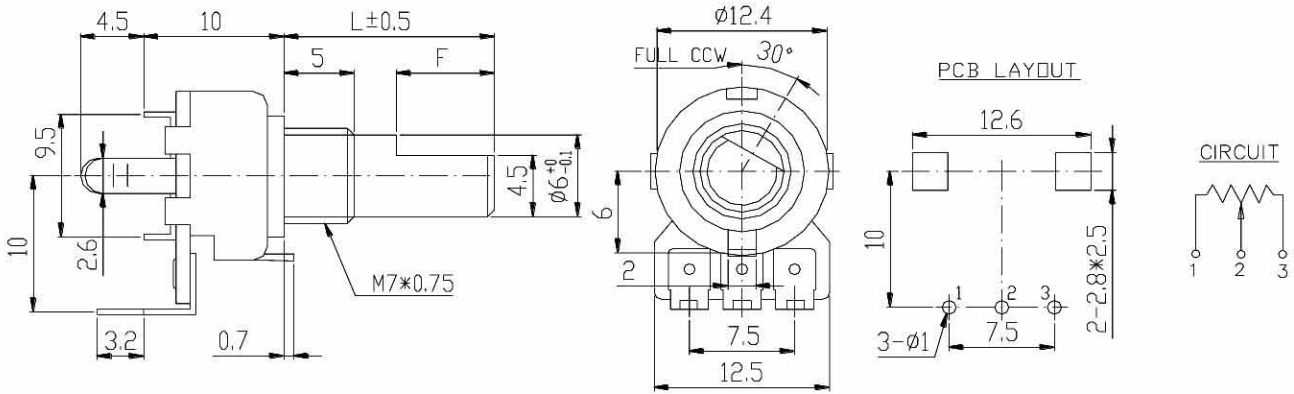
RP12VM



Part Number

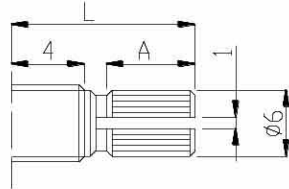
RP12VM - B 50K, L - 20 F / M
 Taper Resistance Value Shaft Length Shaft Type Metal

Dimensions

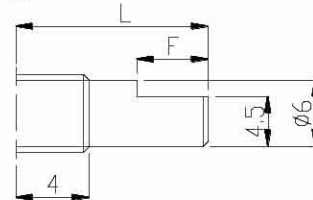


Shaft Type

KC TYPE:



F TYPE:



L=	15	20	25	30	35
A=	6	10	12	12	12

L=	15	20	25	30	35
F=	7	12	12	12	12