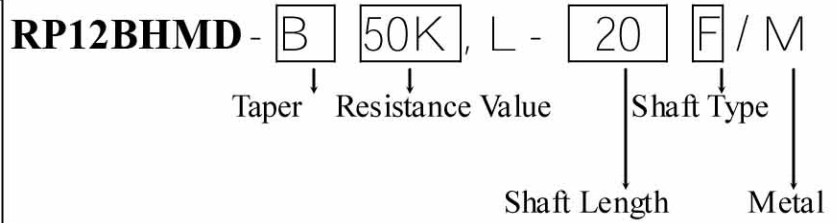


## 12mm Insulated Shaft Rotary Potentiometers

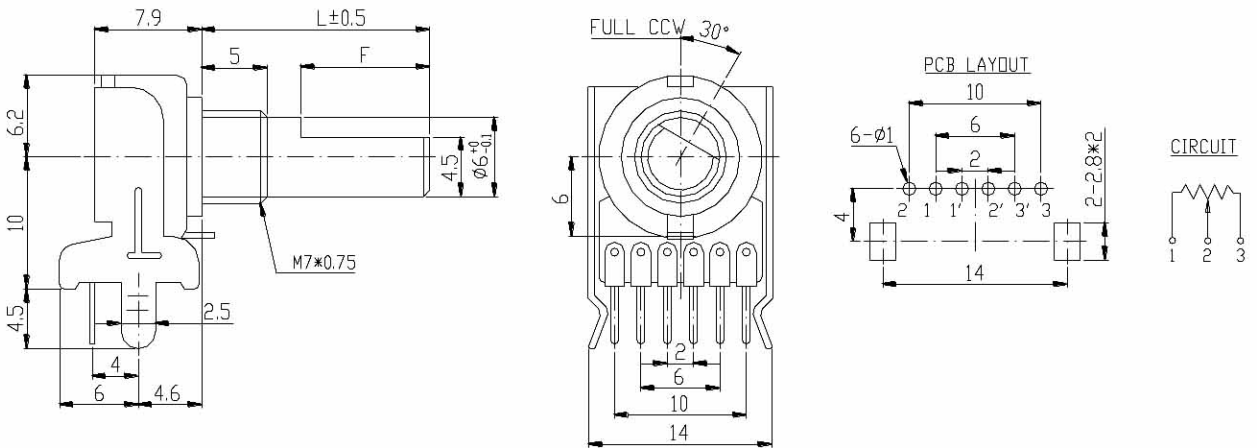
### RP12BHMD



### Part Number



### Dimensions



### Shaft Type

KC TYPE:						F TYPE:					
L=	15	20	25	30	35	L=	15	20	25	30	35
A=	6	10	12	12	12	F=	7	12	12	12	12