

12mm Insulated Shaft Rotary Potentiometers

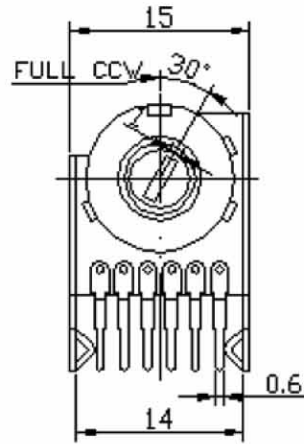
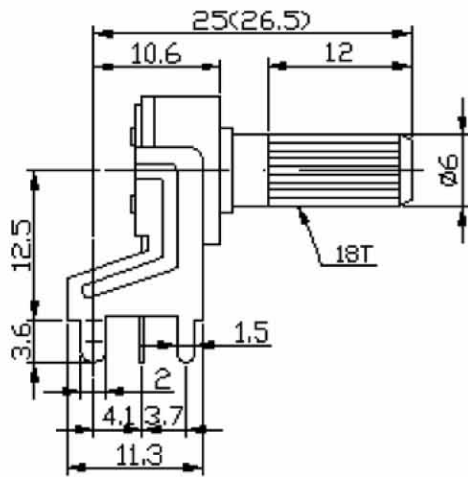
RP12AHPD



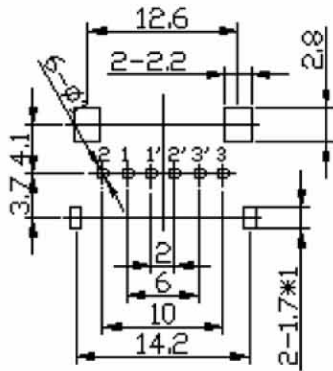
Part Number

RP12AHPD - B 50K, L - 20 KC
↓ Taper ↓ Resistance Value ↓ Shaft Type
↓ Shaft Length

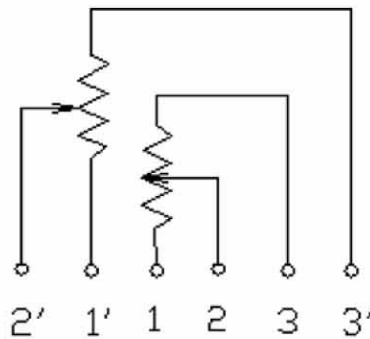
Dimensions



P.C.B LAYOUT

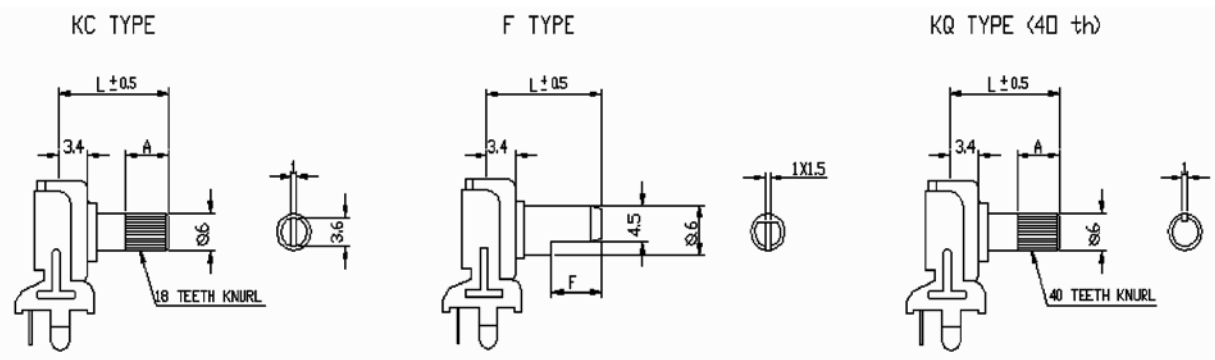


CIRCUIT



12mm Insulated Shaft Rotary Potentiometers

Shaft Type



Horizontal Shaft Dimensions and Styles

KC	L	10	15	20	25	30
	A	5	8	12	12	12
F	L	10	15	20	25	30
	F	5	8	12	12	12
RE	L	10	15	20	25	30
R	L	5	8	8	12	12