

17mm Metal Shaft Rotary Potentiometer - With Switch

MS17VS2



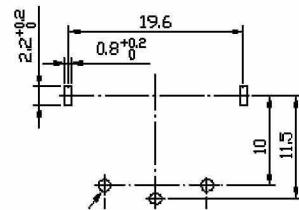
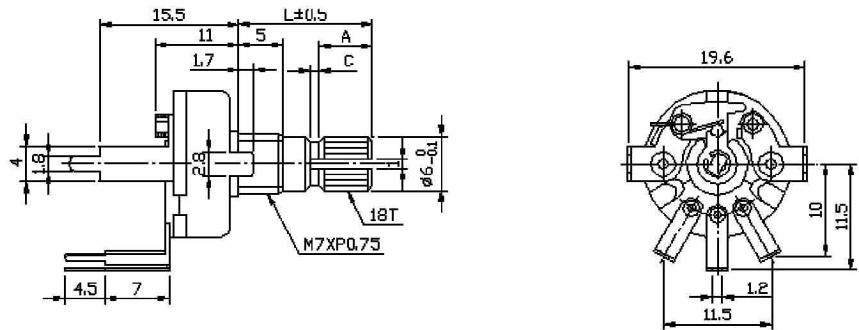
Part Number

MS17VS2 - **B** **50K**, L - **20** **KC**

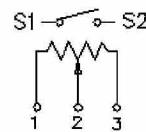
↓ Taper ↓ Resistance Value ↓ Shaft Length ↓ Shaft Type

With Switch

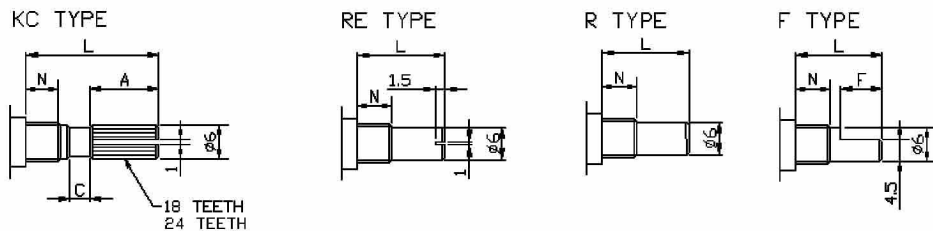
Dimensions



CIRCUIT



Shaft Type



N:5m/m

SHAFT-TYPE	L	10	15	20	25	30	35	40
KC	A	3.2	6	10	12	12	12	12
	C	0.5	1	2	2	4	4	4
F	F	4	7	12	12	12	12	12
R,RE	L	10	15	20	25	30	35	40