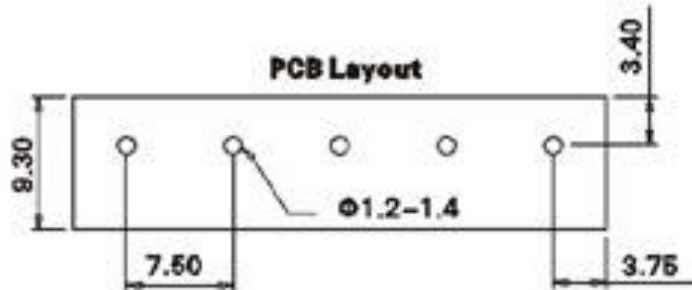
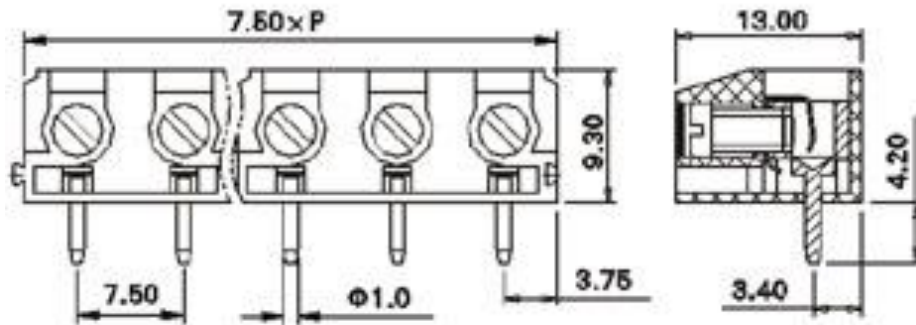
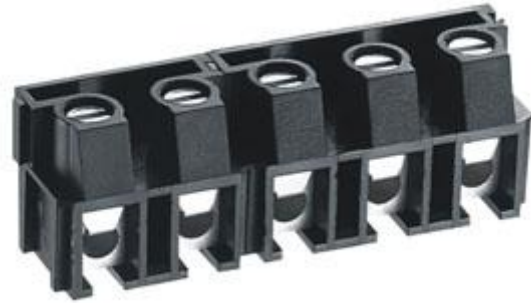


Product Drawing



Page:	1	Date:	2011-01-07	Description:	Standard Outline Drawing
of:	1	Revision:	1.0	P/N	VWP400R-7.5