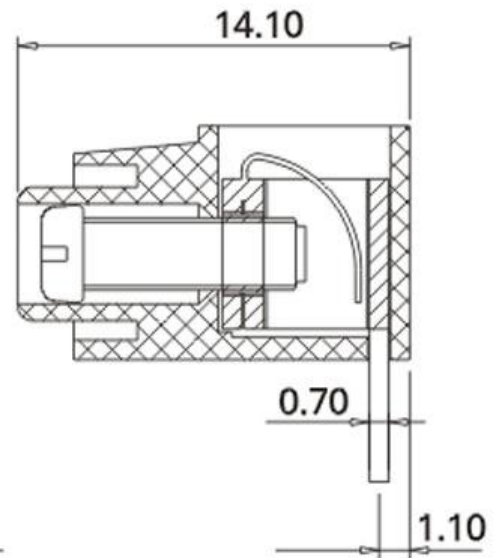
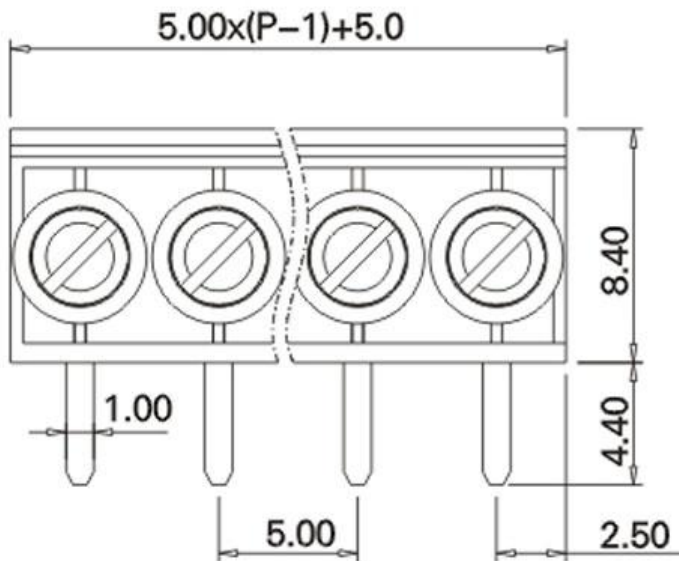
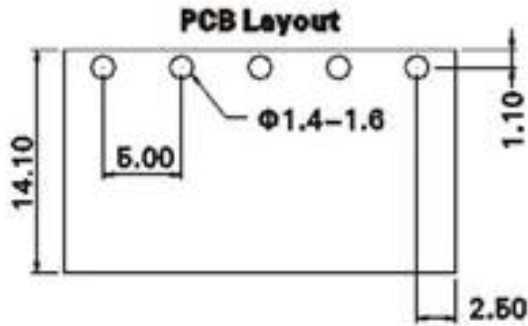
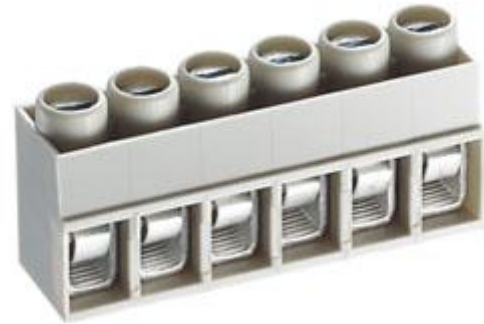


Product Drawing



		Description:		Standard Outline Drawing	
Page:	1	Date:	2011-01-07	P/N	VWP209R-5.0
of:	1	Revision:	1.0		