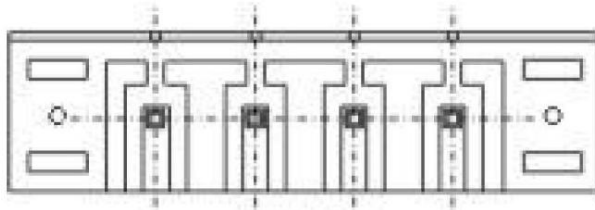
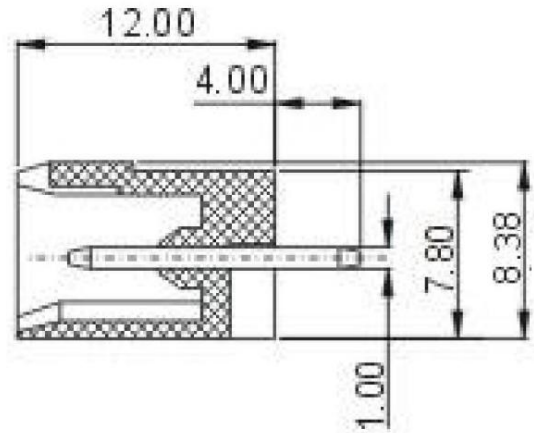
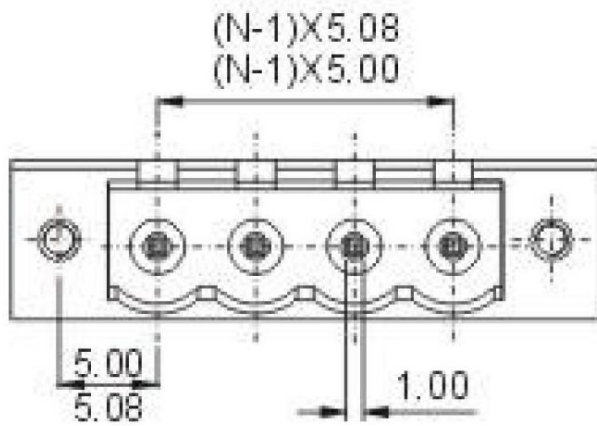
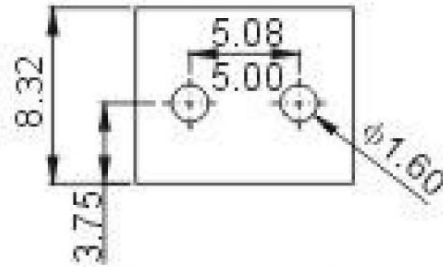


Product Drawing



A向视图



PCB LAYOUT

				Description:	Standard Outline Drawing
Page:	1	Date:	2010-12-07	P/N	VDGVM-5.0
of:	1	Revision:	1.0		VDGVM-5.08