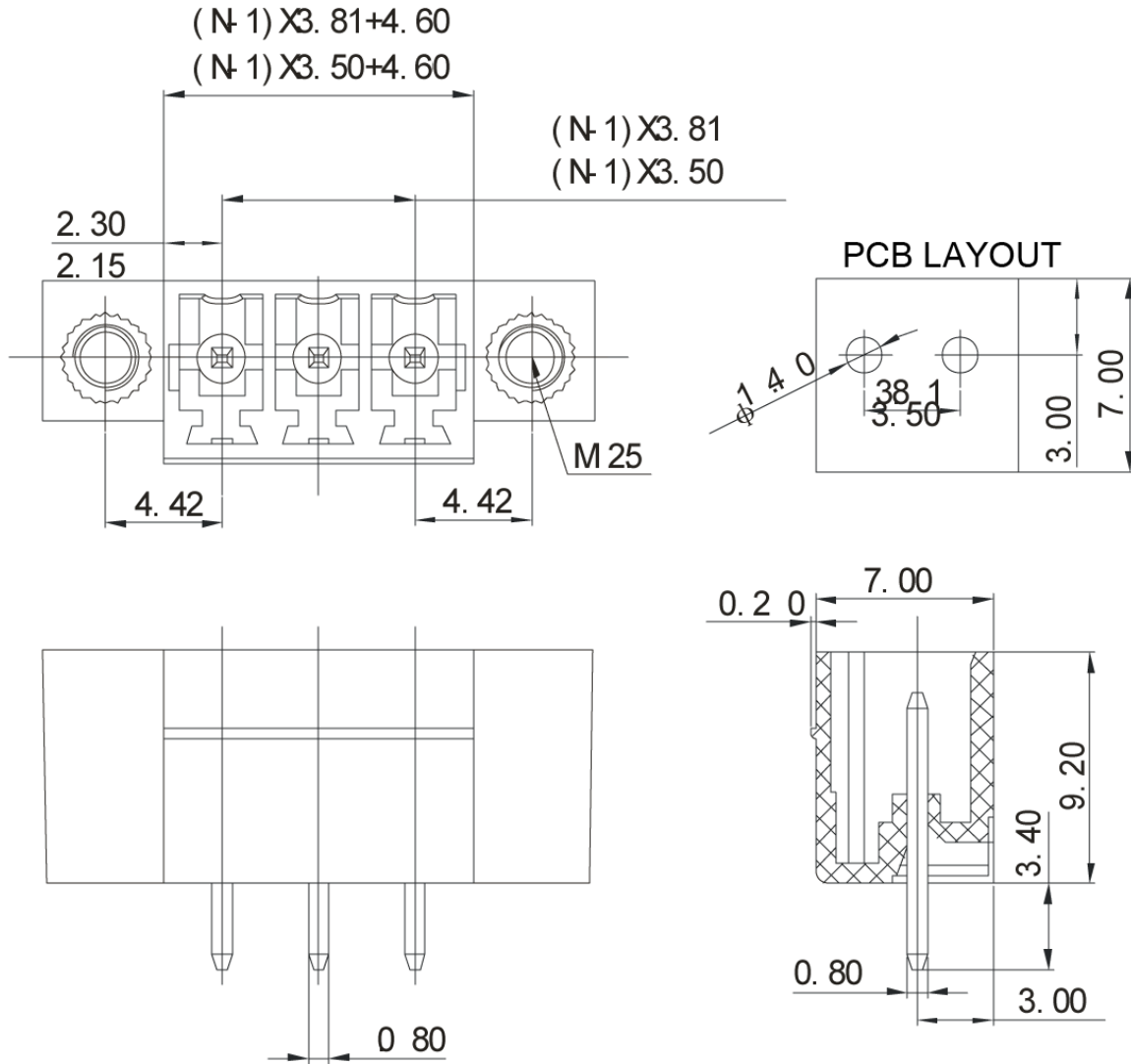


Product Drawing



				Description:	Standard Outline Drawing
Page:	1	Date:	2010-12-03	P/N	VDGVM-3.5 VDGVM-3.81
of:	1	Revision:	1.0		