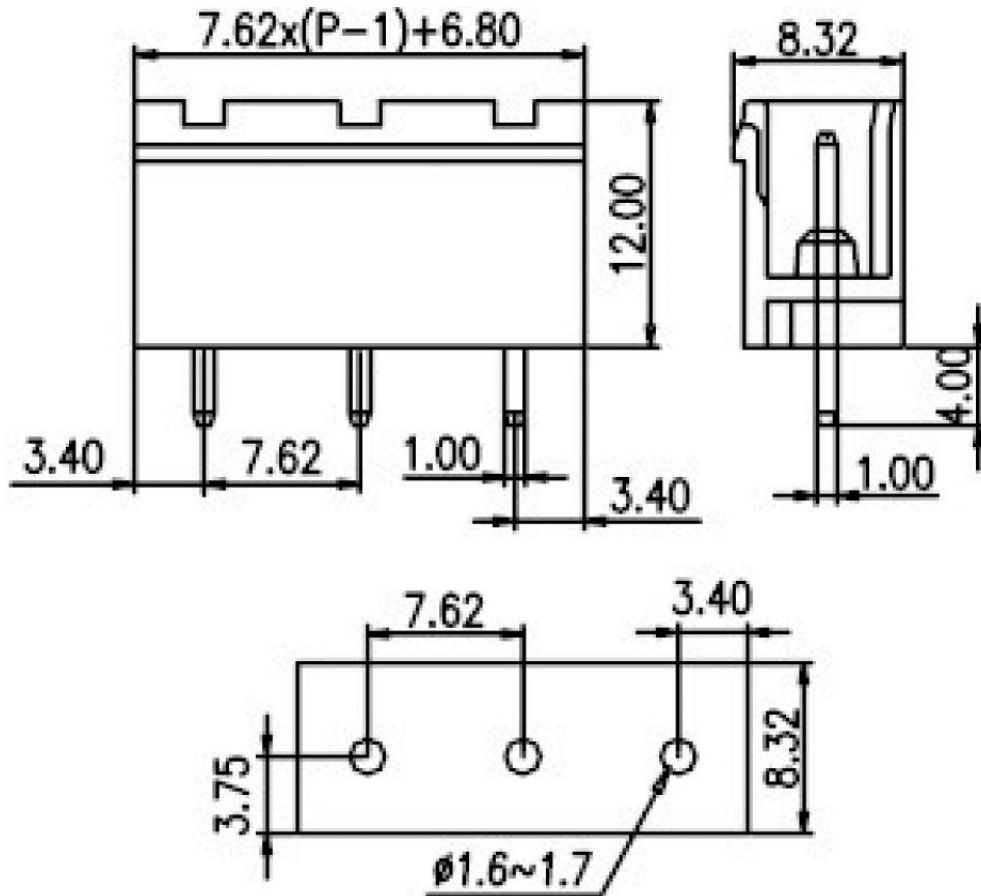
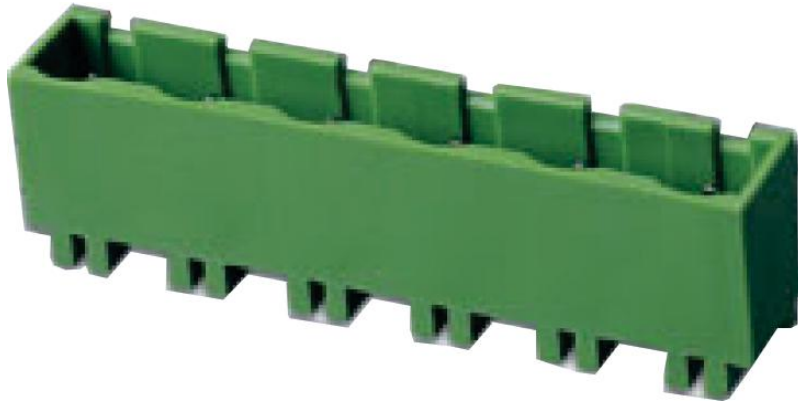


Product Drawing



| | | | | | |
|---------|--|------------------|--|--------------|--------------------------|
| Page: 1 | | Date: 2010-12-16 | | Description: | Standard Outline Drawing |
| of: 1 | | Revision: 1.0 | | | |