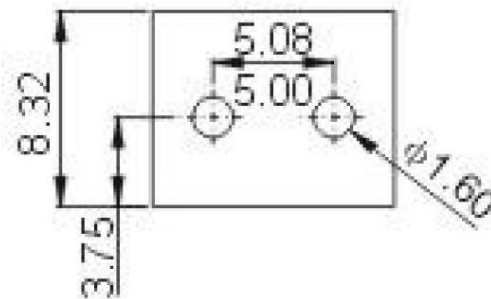
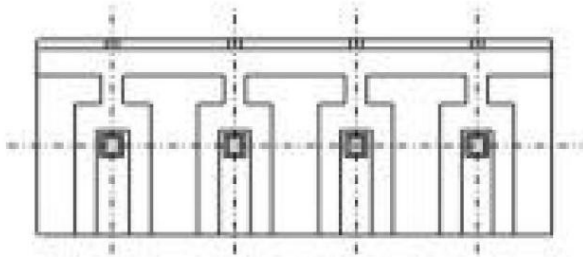
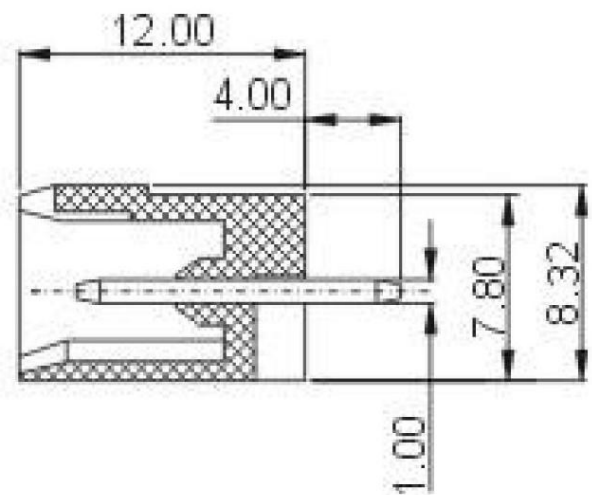
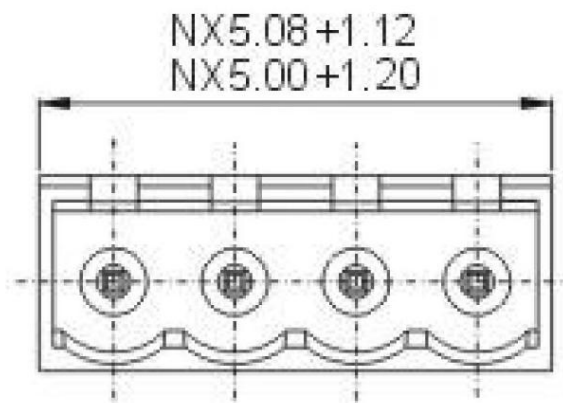


Product Drawing



PCB LAYOUT

		Description:		Standard Outline Drawing	
Page:	1	Date:	2010-12-07	P/N	VDGVC-5.0
of:	1	Revision:	1.0		VDGVC-5.08