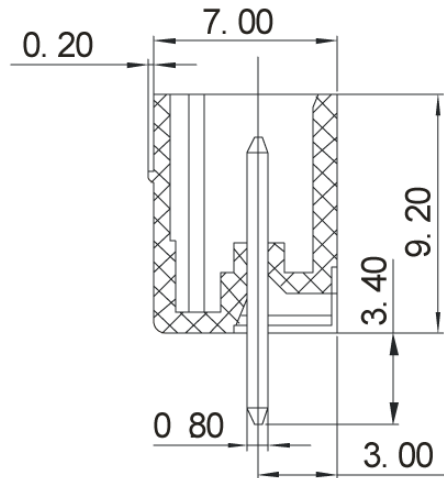
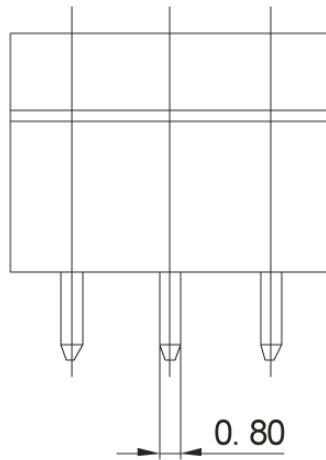
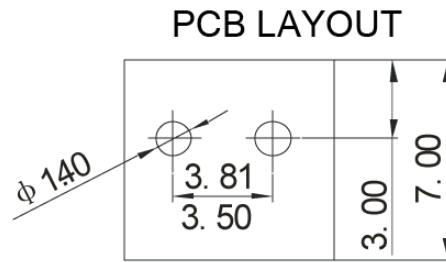
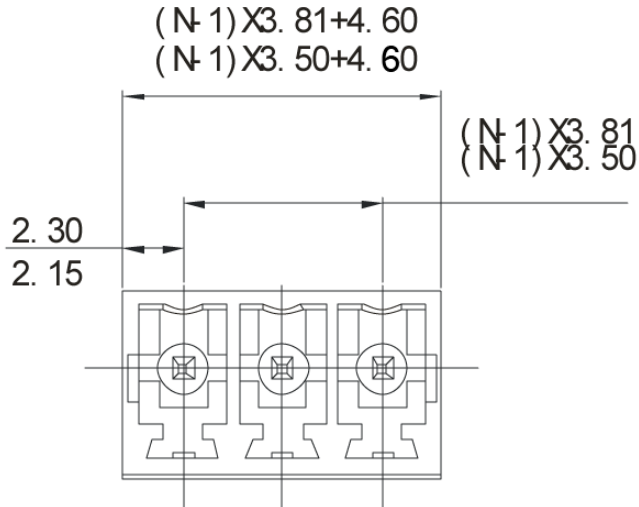


Product Drawing



				Description:	Standard Outline Drawing
Page:	1	Date:	2010-12-03	P/N	VDGVC-3.5
of:	1	Revision:	1.0		VDGVC-3.81