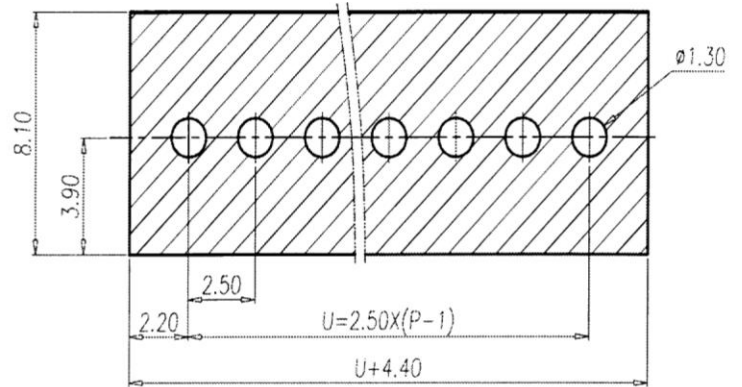
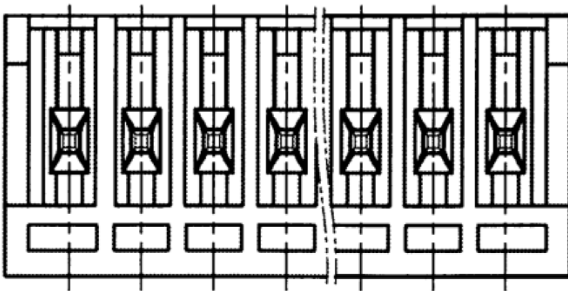
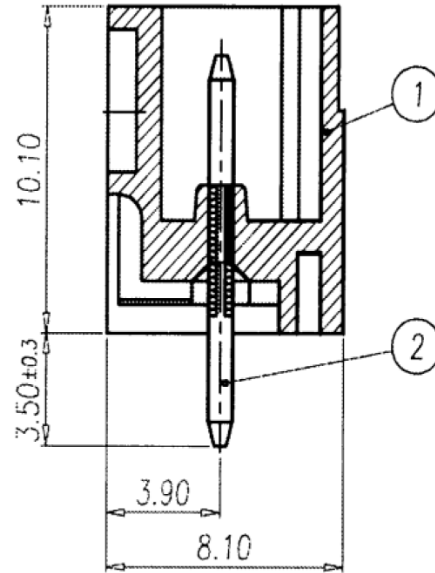
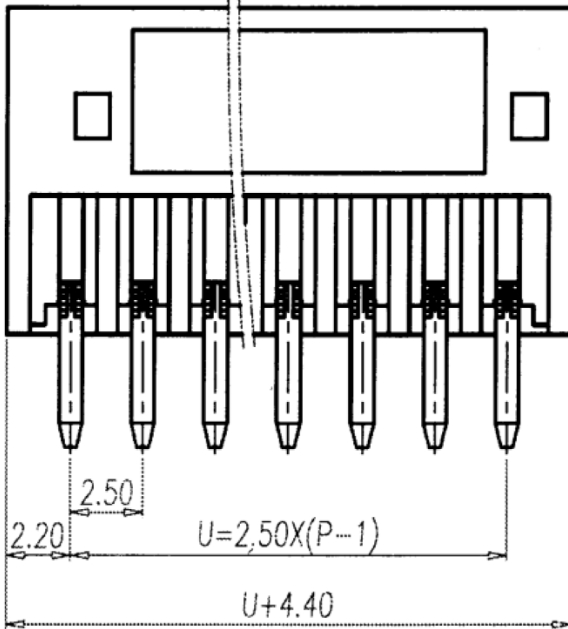


Product Drawing



P.C.B. LAYOUT

P	2	3	4	5	6	7	8	9	10	11	12	
U	2.50	5.00	7.50	10.00	12.50	15.00	17.50	20.00	22.50	25.00	27.50	
P	13	14	15	16	17	18	19	20	21	22	23	24
U	30.00	32.50	35.00	37.50	40.00	42.50	45.00	47.50	50.00	52.50	55.00	57.50

Page:	1	Date:	2011-06-17	Description:	Standard Outline Drawing
	of:		1		Revision: