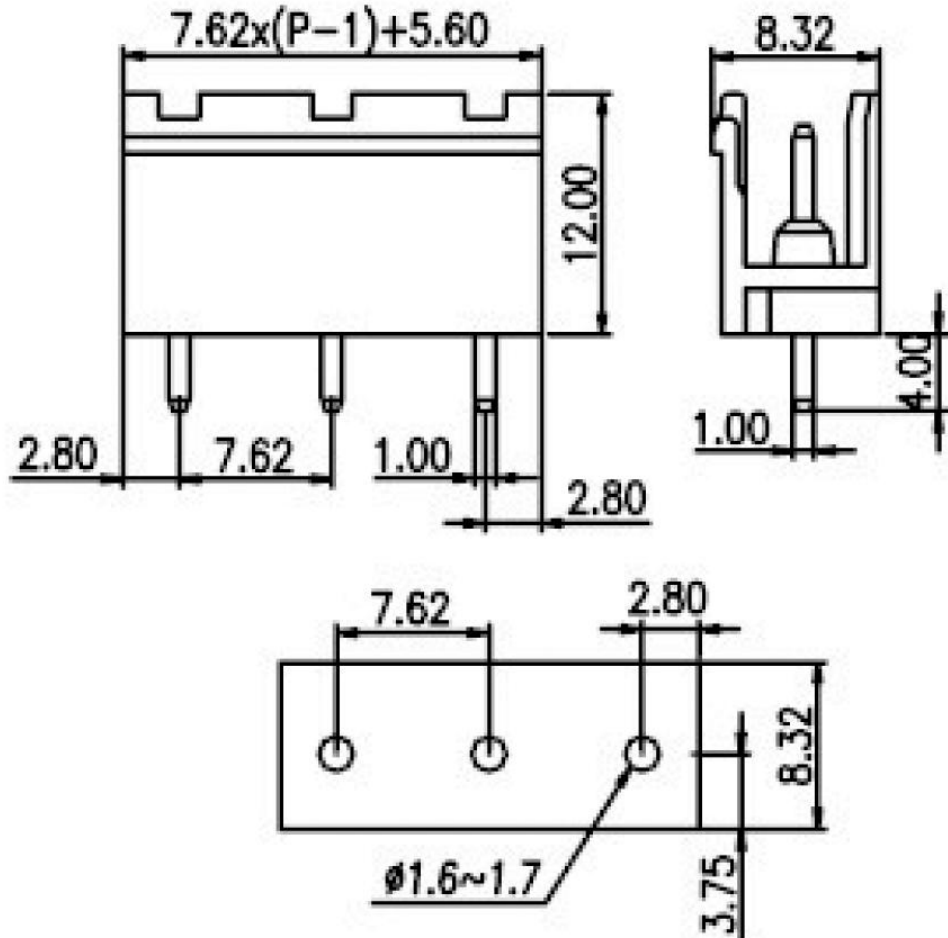
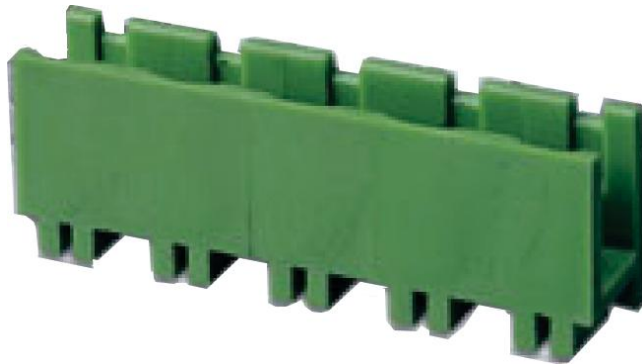


Product Drawing



		Description:		Standard Outline Drawing	
Page:	1	Date:	2010-12-16	P/N	VDGV-7.62
of:	1	Revision:	1.0		