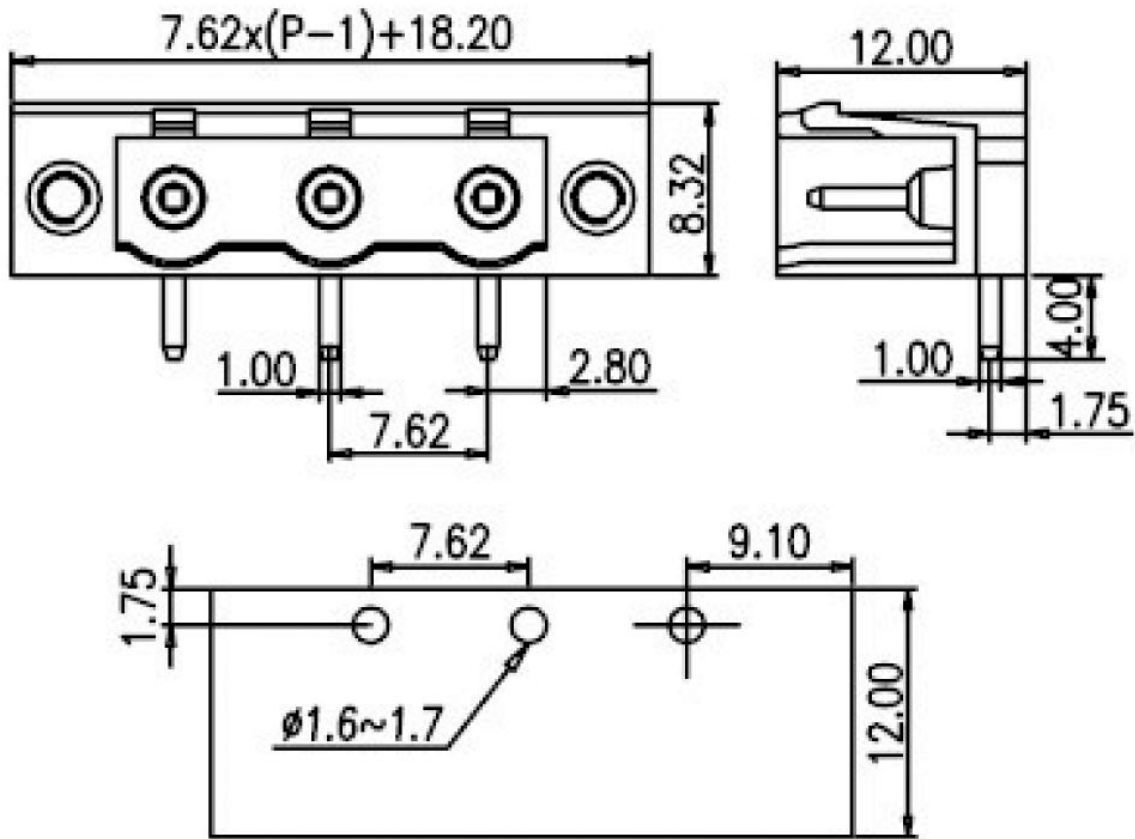
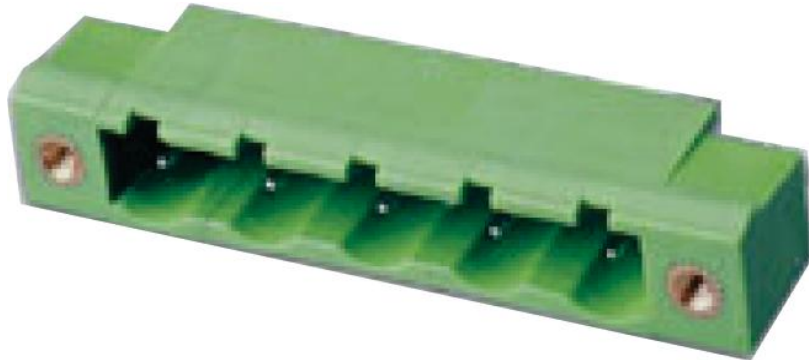


# Product Drawing



Page:	1	Date:	2010-12-16	Description:	Standard Outline Drawing
of:	1	Revision:	1.0	P/N	VDGRM-7.62