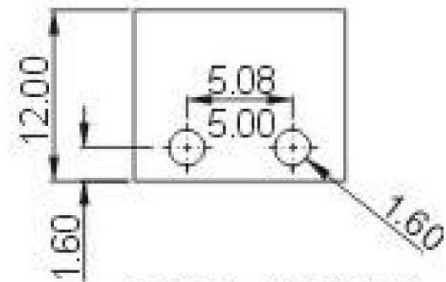
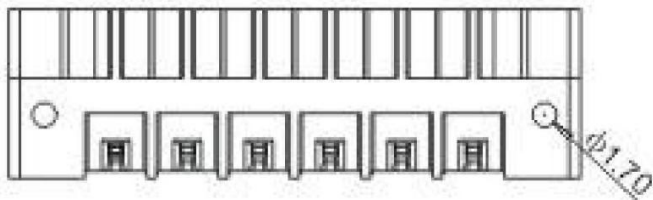
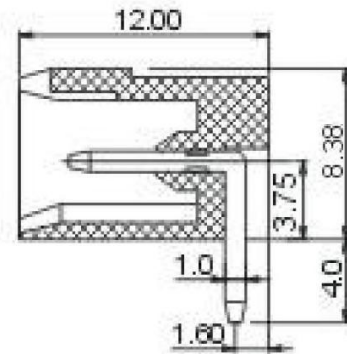
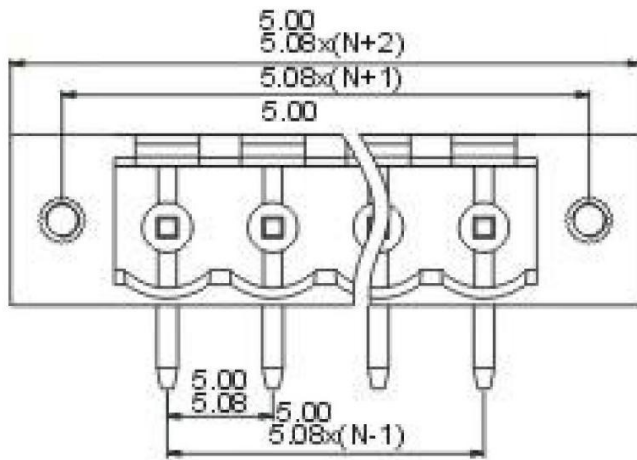


Product Drawing



PCB LAYOUT

				Description:	Standard Outline Drawing
Page:	1	Date:	2010-12-07	P/N	VDGRM-5.0 VDGRM-5.08
of:	1	Revision:	1.0		