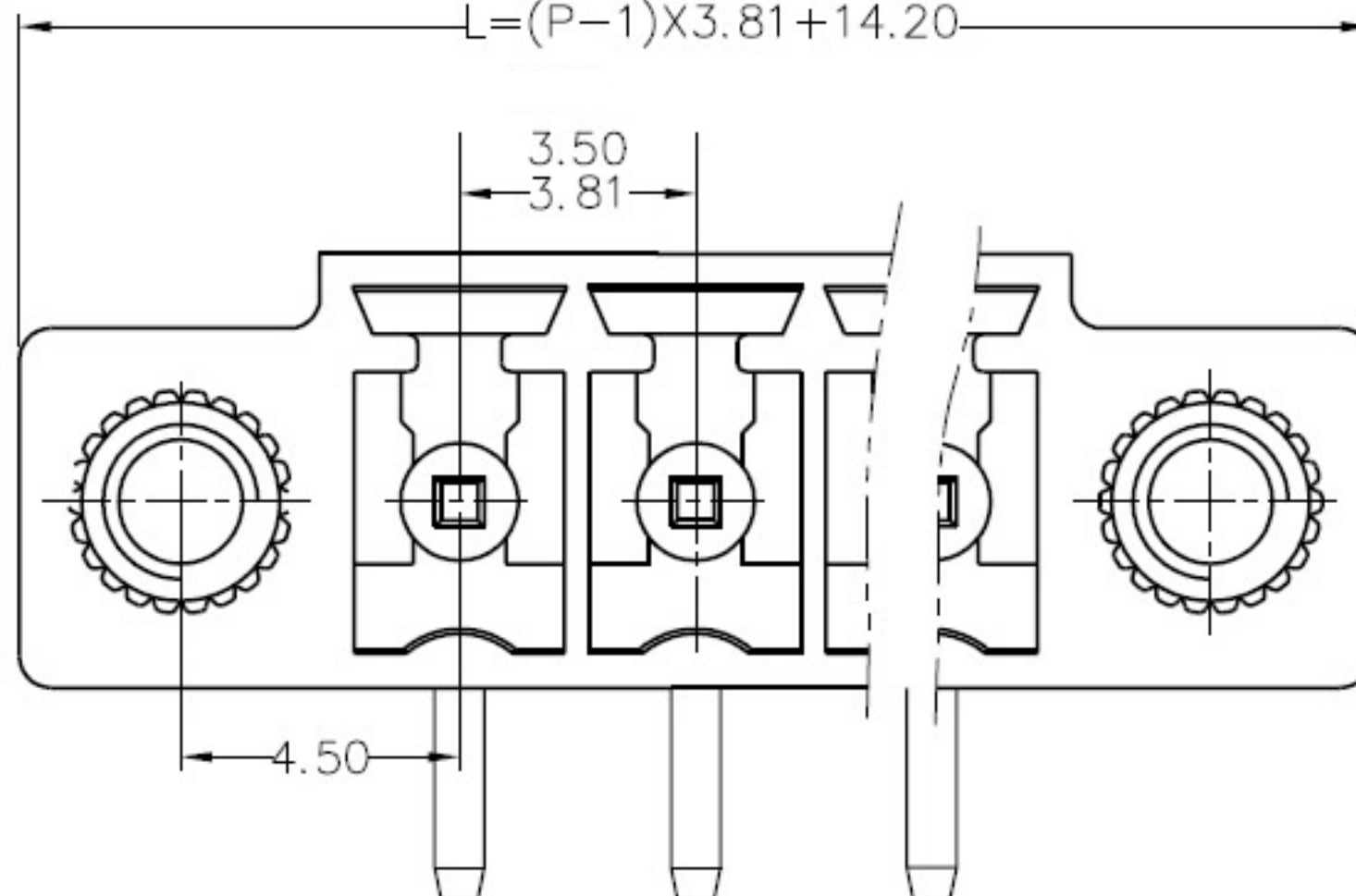
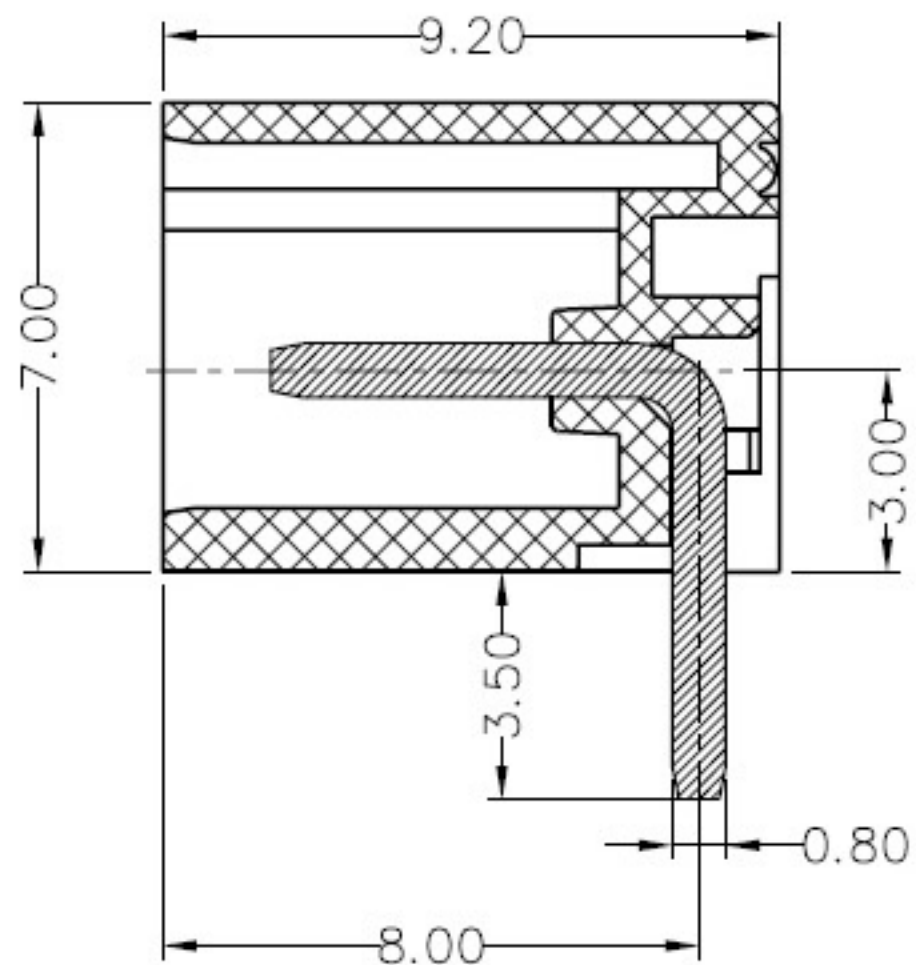


FILE

| REV | DESCRIPTION | DATE | DRAWN | CHKD |
|-----|-------------|------|-------|------|
| | | | | |

$$L = (P-1) \times 3.50 + 14.20$$

$$L = (P-1) \times 3.81 + 14.20$$



| | | | | | | | | |
|----------------------------|-------|-------|------|--------|----------|------------------|---------------------------------------|------|
| TOLERANCES EXCEPT AS NOTED | DRAWN | Zhong | DATE | 08-3-5 | UNIT | mm | | |
| 0. ± 0.25 | CHKD | | DATE | | SCALE | | REV | S_00 |
| 0.0 ± 0.15 | APP | | DATE | | MATERIAL | | SHEET/OF | 1/1 |
| 0.00 ± 0.075 | | | | | | Description | | |
| 0.000 ± 0.05 | | | | | | Pluggable Header | | |
| ANGLES ± 0.1° | | | | | | Part Number | | |
| | | | | | | | VDGRM-3.5-xxP-14 VDGRM-3.81-xxP-14 | |