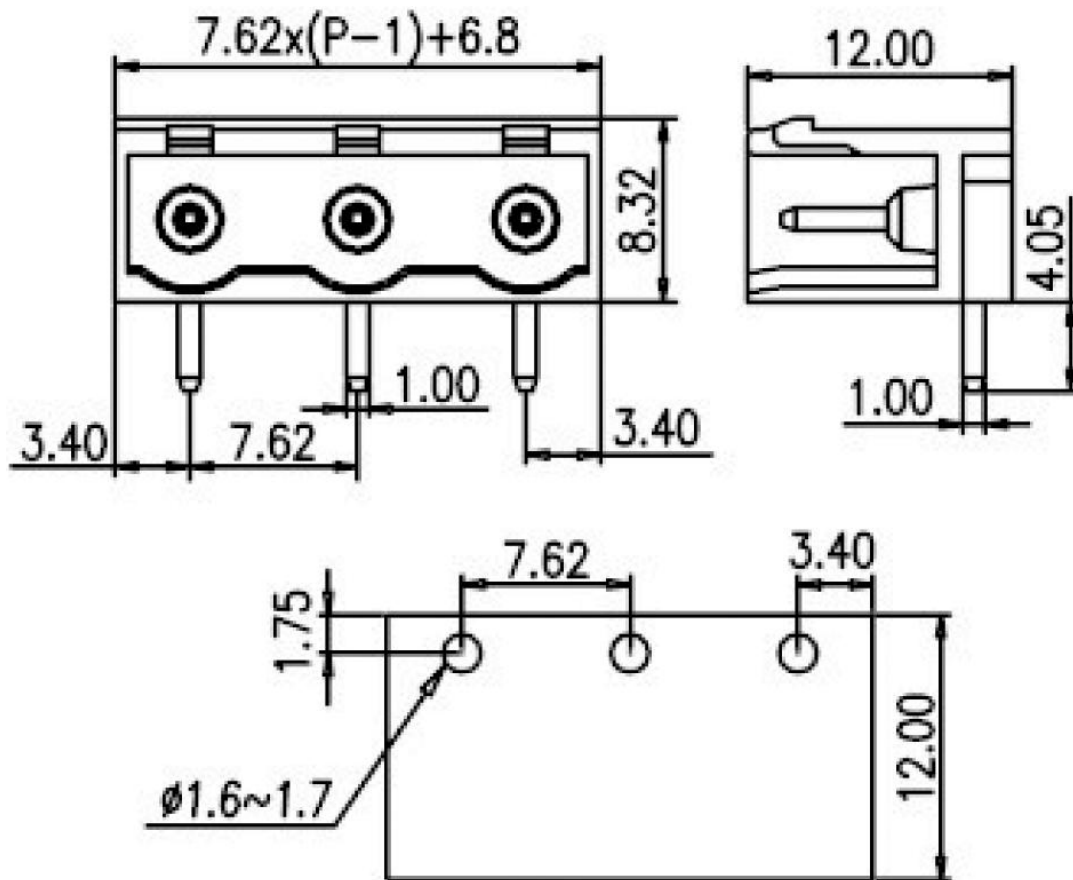


Product Drawing



Page: 1		Date: 2010-12-16		Description: Standard Outline Drawing	
of: 1		Revision: 1.0		P/N VDGR-7.62	