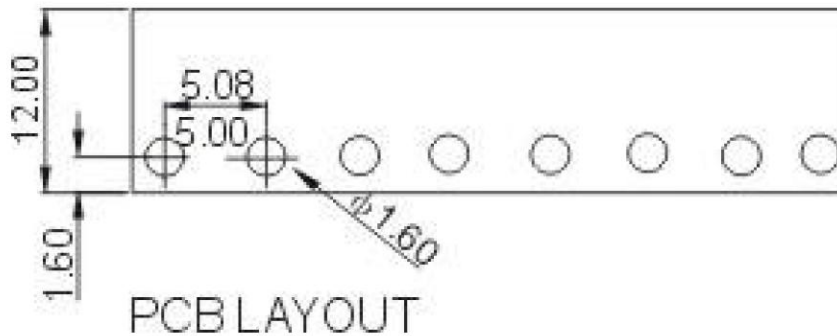
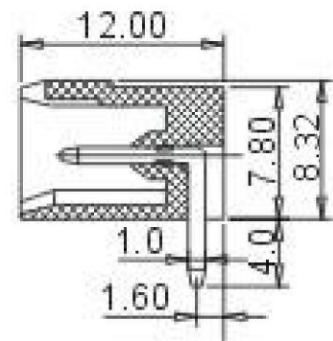
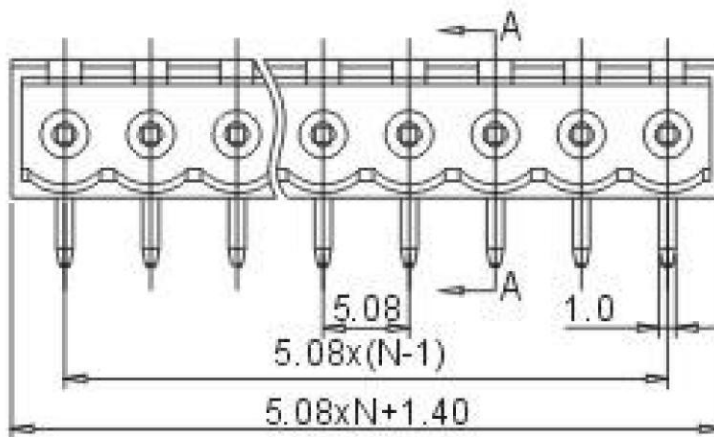


Product Drawing



				Description:	Standard Outline Drawing
Page:	1	Date:	2010-12-06	P/N	VDGRC-5.0 VDGRC-5.08
of:	1	Revision:	1.0		