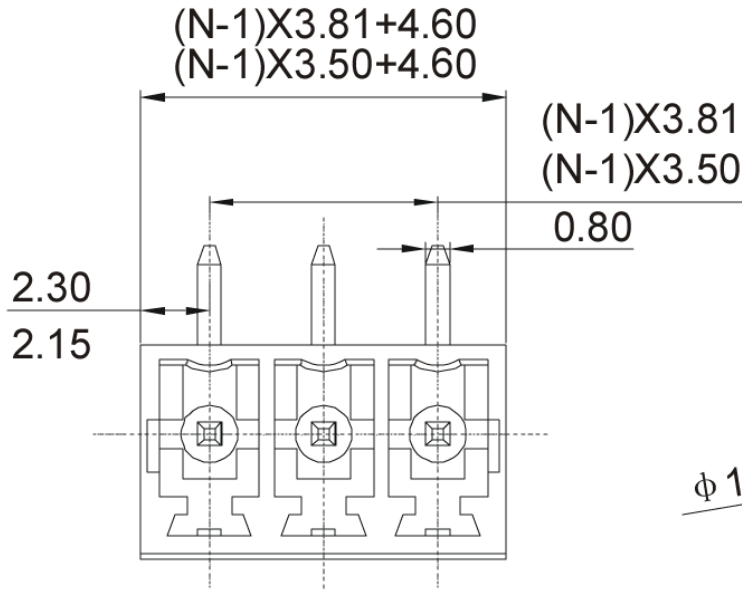
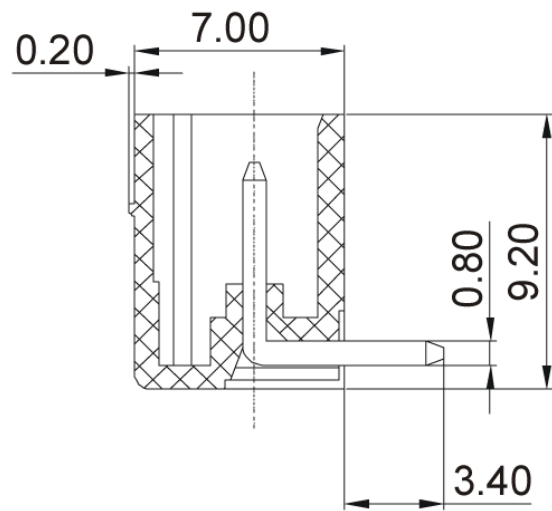
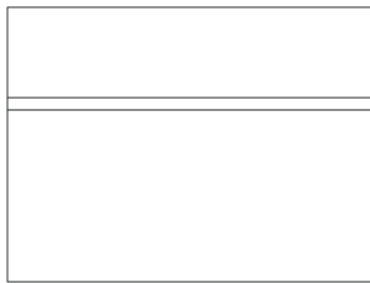
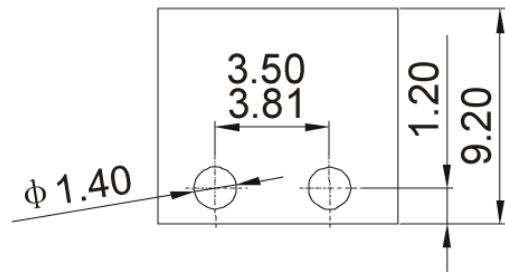


Product Drawing



PCB LAYOUT



				Description:	Standard Outline Drawing
Page:	1	Date:	2010-12-03	P/N	VDGRC-3.5 VDGRC-3.81
of:	1	Revision:	1.0		