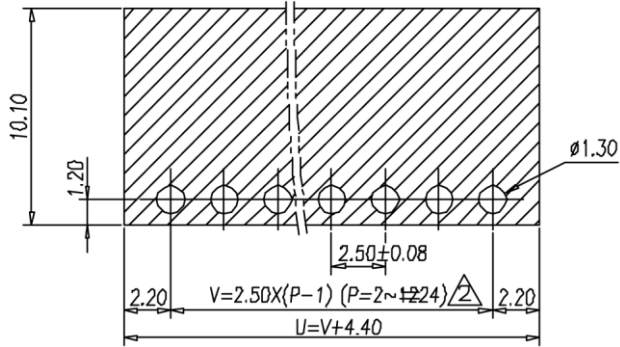
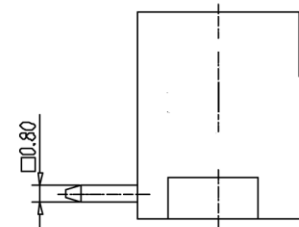
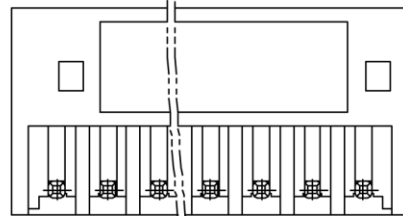
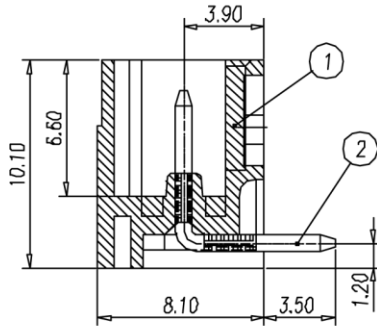
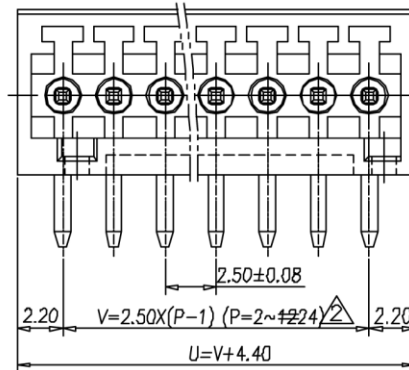
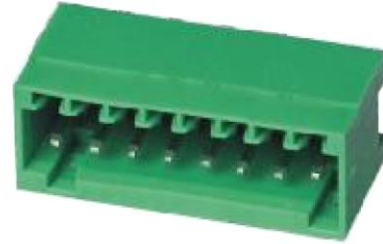


Product Drawing



P.C.B. LAYOUT



		Description:		Standard Outline Drawing	
Page:	1	Date:	2010-12-09	P/N	VDGRC-2.5
of:	1	Revision:	1.0		