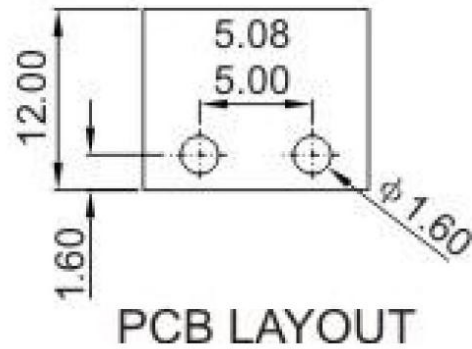
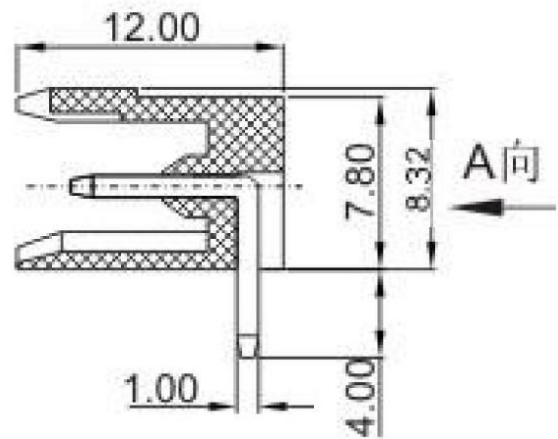
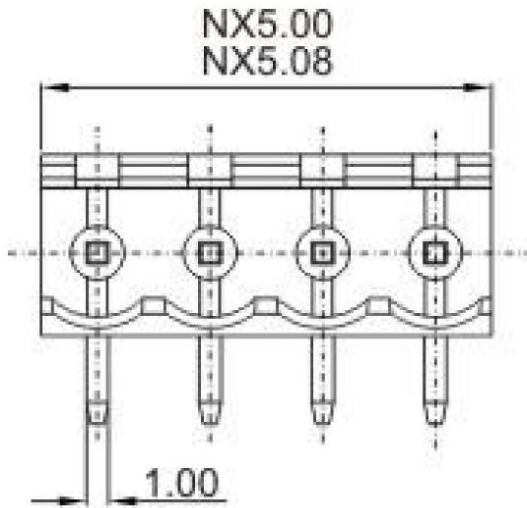


Product Drawing



				Description:	Standard Outline Drawing
Page:	1	Date:	2010-12-07	P/N	VDGR-5.0 VDGR-5.08
of:	1	Revision:	1.0		