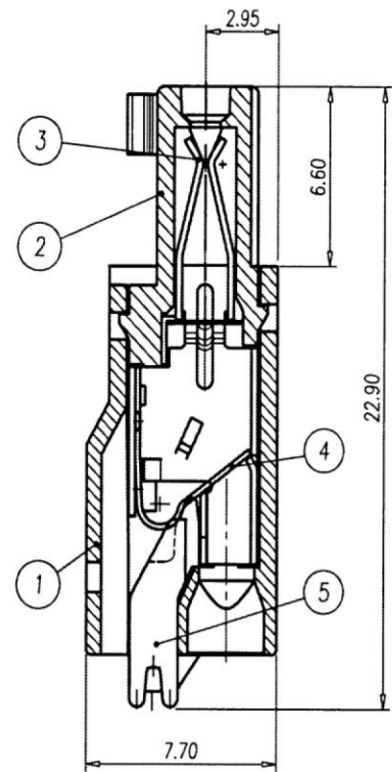
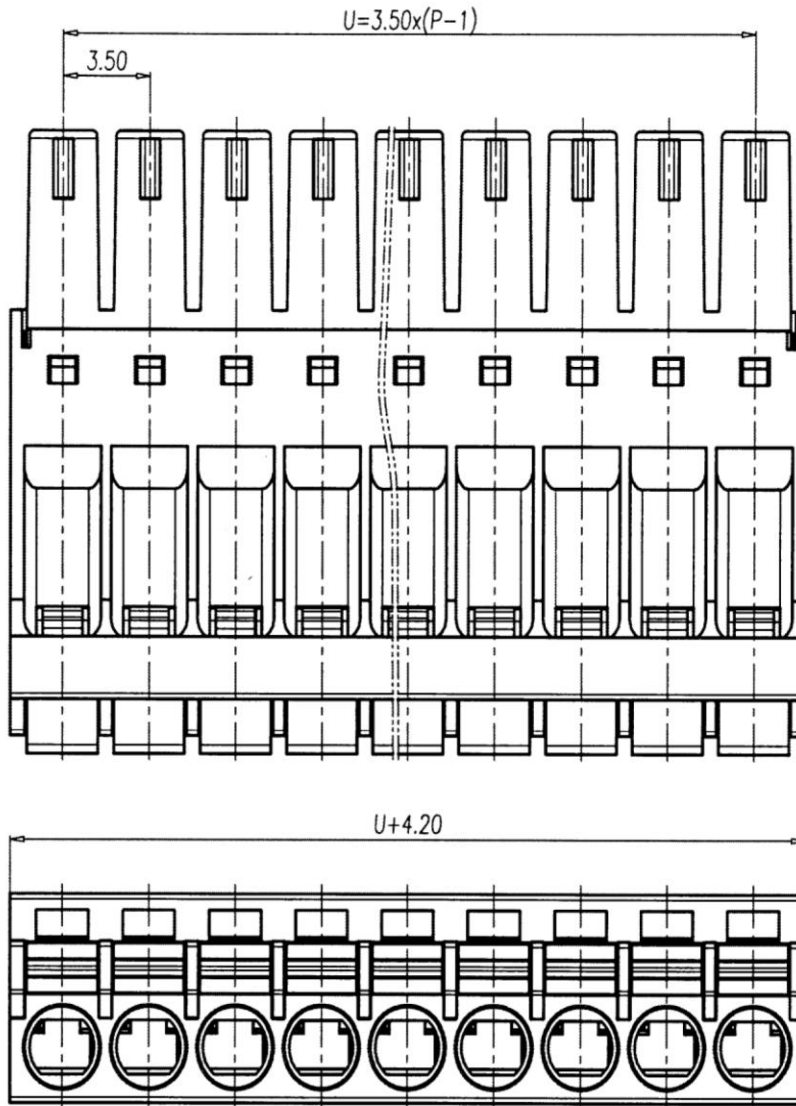
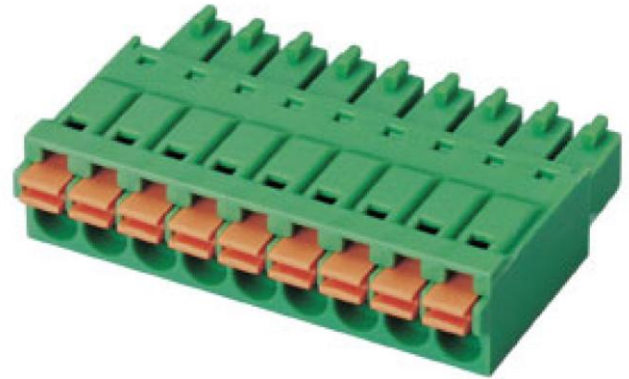


# Product Drawing

P	2	3	4	5	6	7	8	9	10	
U	3.50	7.00	10.50	14.00	17.50	21.00	24.50	28.00	31.50	
P	11	12	13	14	15	16	17	18	19	20
U	35.00	38.50	42.00	45.50	49.00	52.50	56.00	59.50	63.00	66.50



<b>Page:</b> 1		<b>Date:</b> 2010-12-08		<b>Description:</b>	Standard Outline Drawing
<b>of:</b> 1		<b>Revision:</b> 1.0			
				P/N	<b>VDGKN-3.5</b>