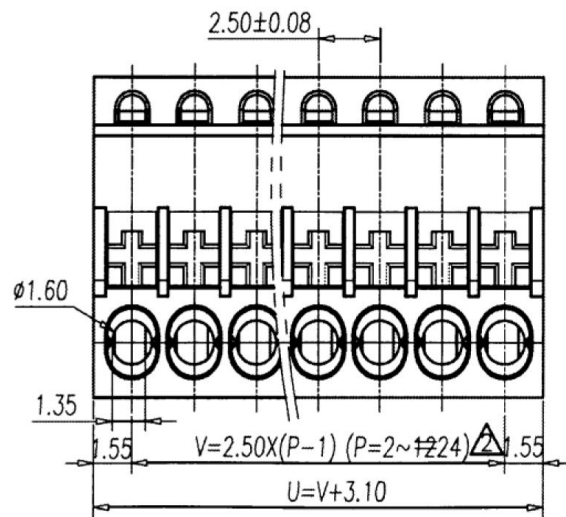
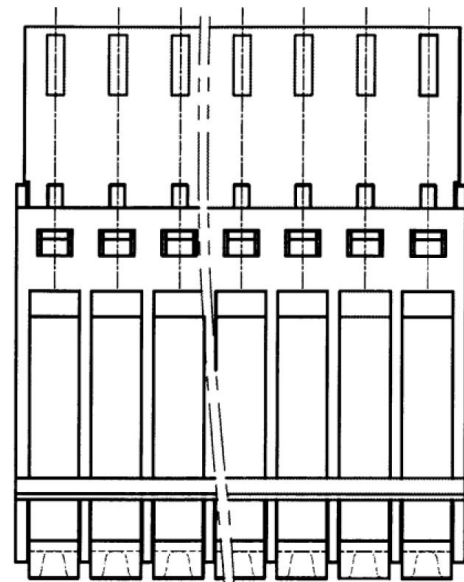
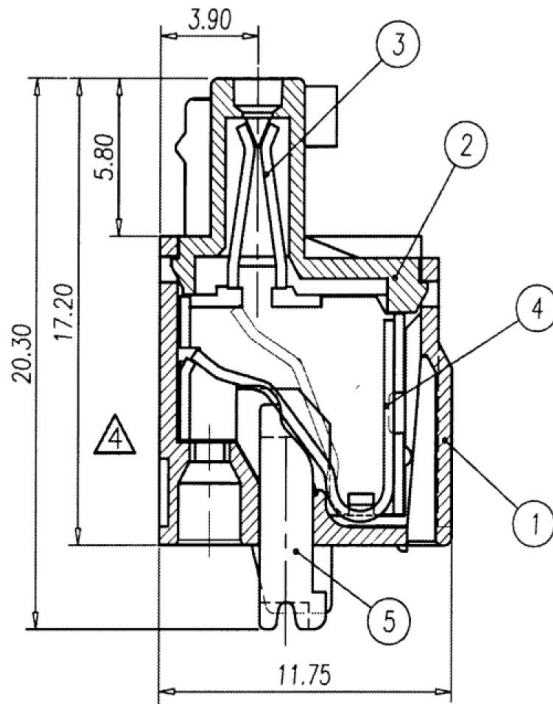
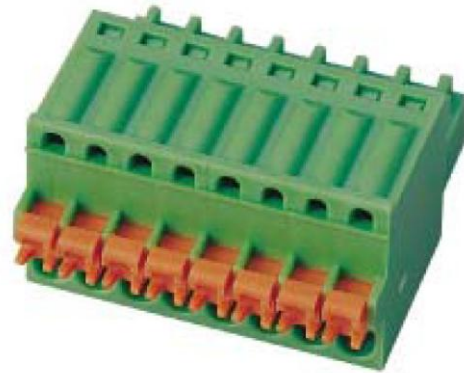


# Product Drawing



Page:	1	Date:	2010-12-08	Description:	Standard Outline Drawing
of:	1	Revision:	1.0	P/N	VDGKD-2.5