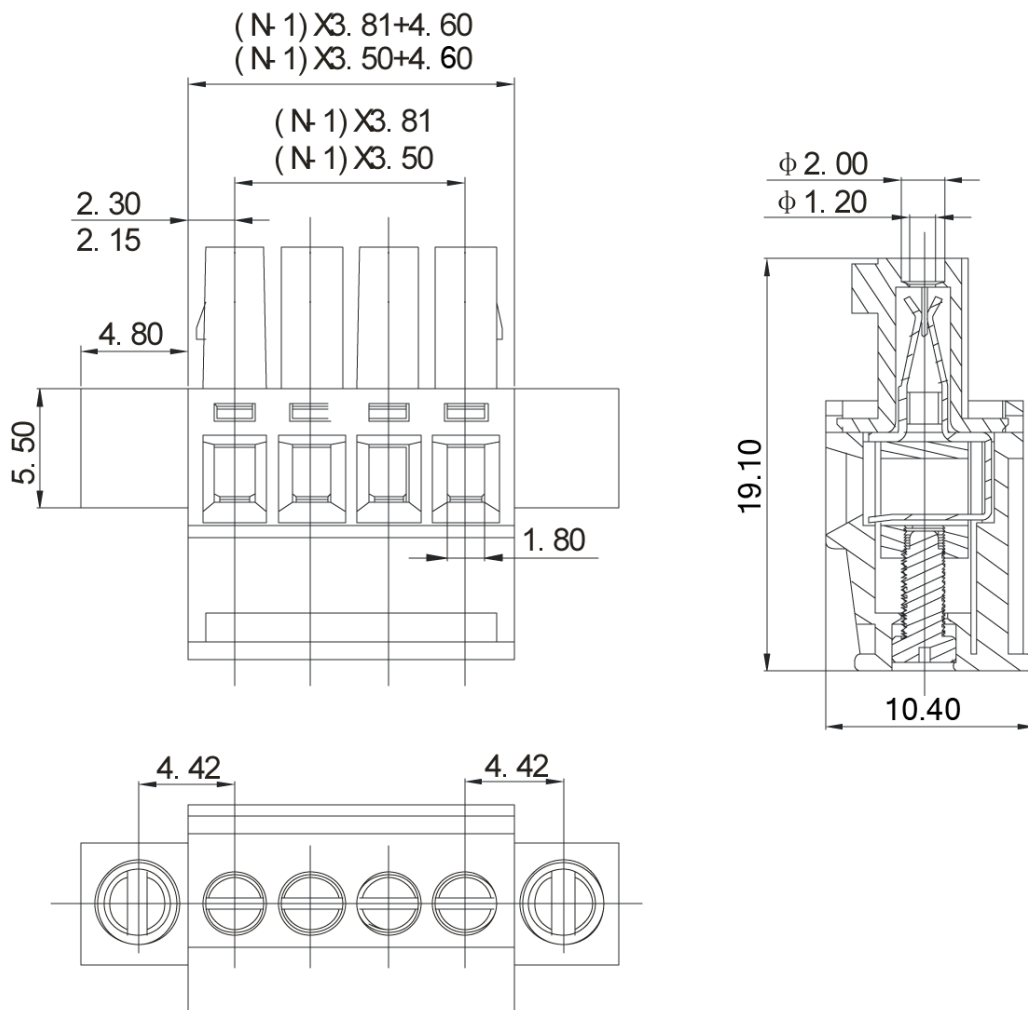


Product Drawing



		Description:		Standard Outline Drawing	
Page:	1	Date:	2010-12-03	P/N	VDGKBM-3.5 VDGKBM-3.81
of:	1	Revision:	1.0		