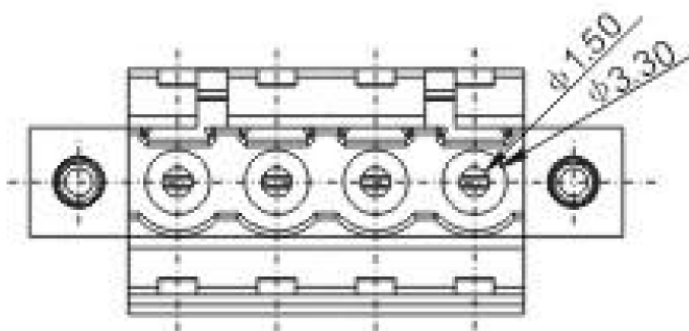
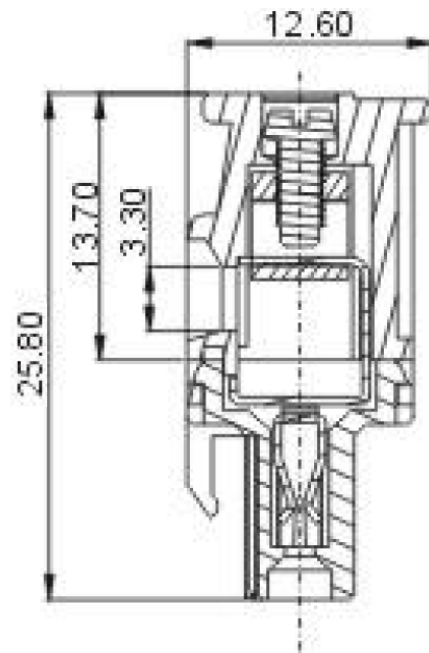
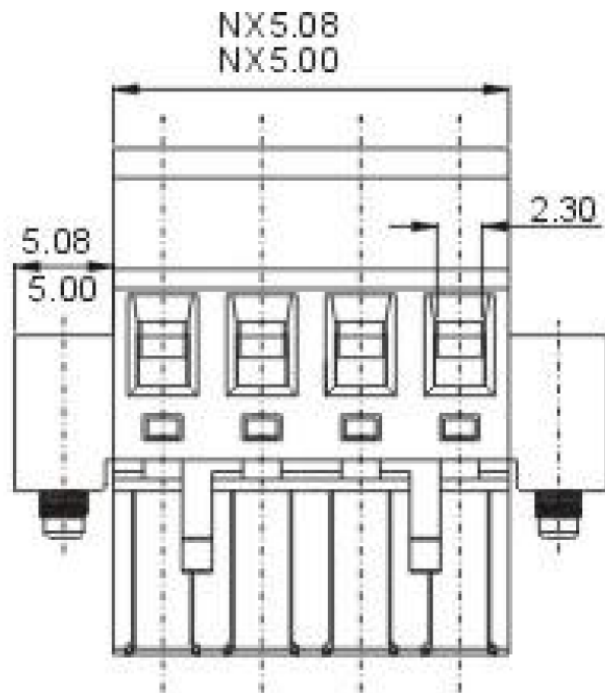


Product Drawing



		Description:		Standard Outline Drawing	
Page:	1	Date:	2010-12-03	P/N	VDGKAM-5.0 VDGKAM-5.08
of:	1	Revision:	1.0		