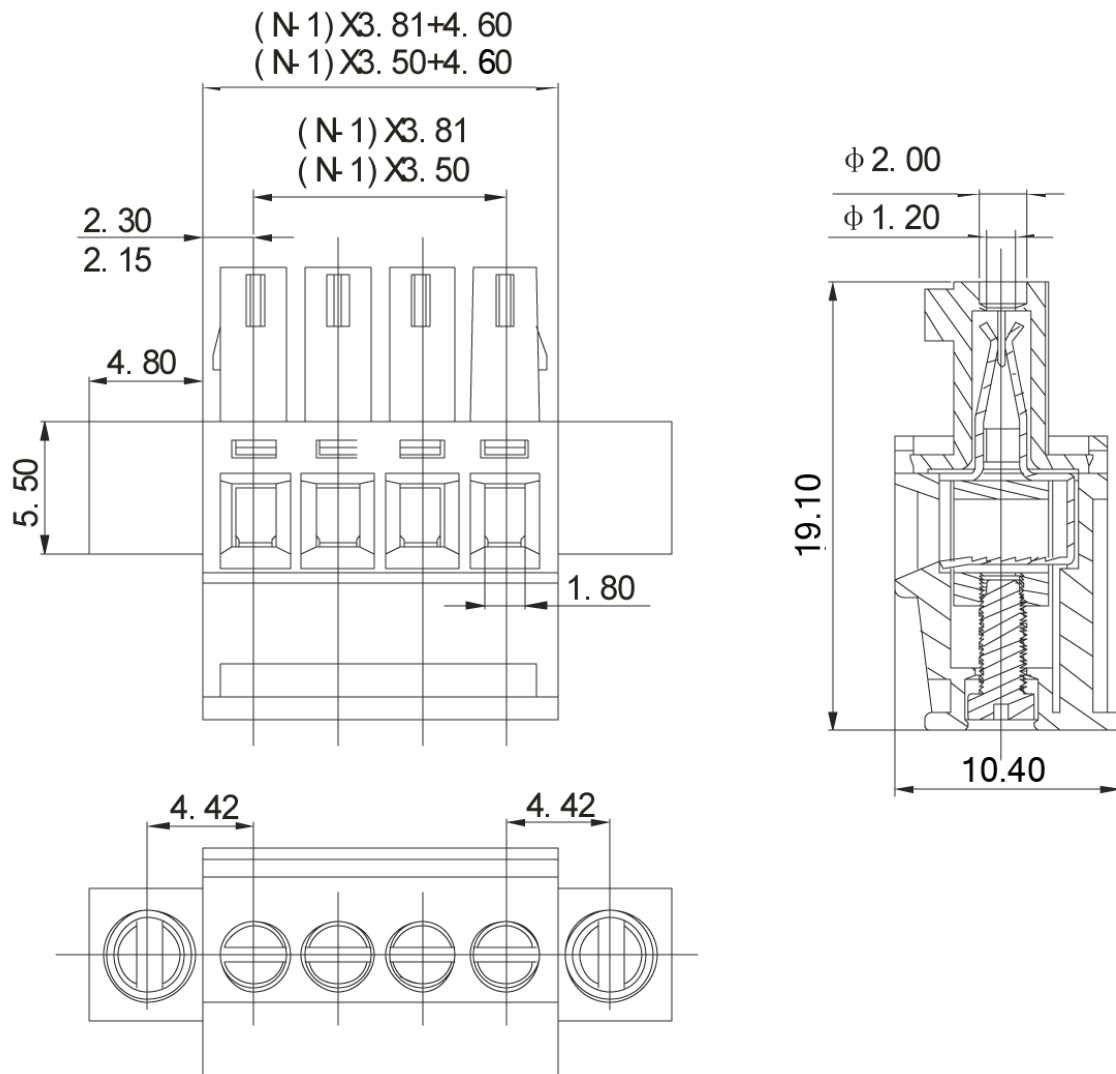


# Product Drawing



Page: 1		Date: 2010-12-03		Description:	Standard Outline Drawing
of: 1		Revision: 1.0			
				P/N	VDGKAM-3.5 VDGKAM-3.81