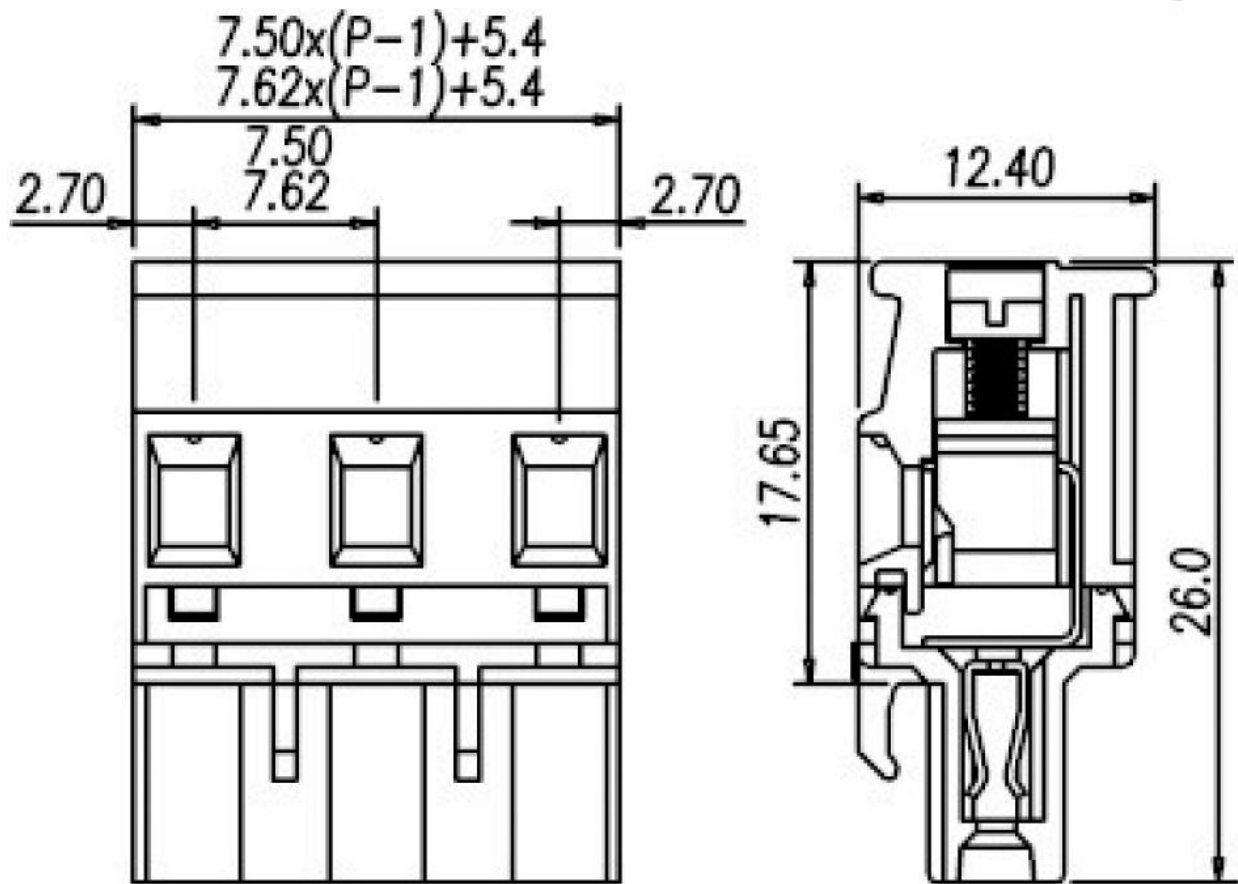


Product Drawing



| | | | | | |
|--------------|---|------------------|------------|---------------------|--------------------------|
| | | | | Description: | Standard Outline Drawing |
| Page: | 1 | Date: | 2010-12-14 | P/N | VDGKA-7.5 |
| of: | 1 | Revision: | 1.0 | | VDGKA-7.62 |