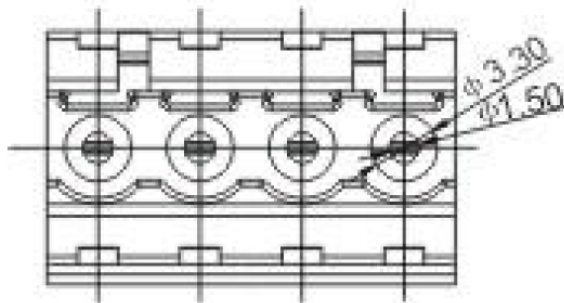
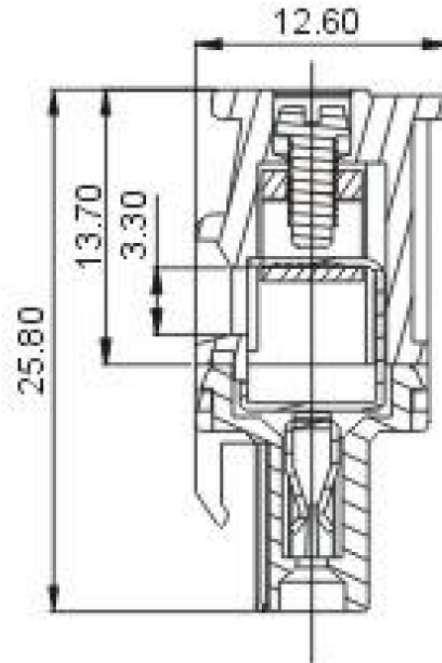
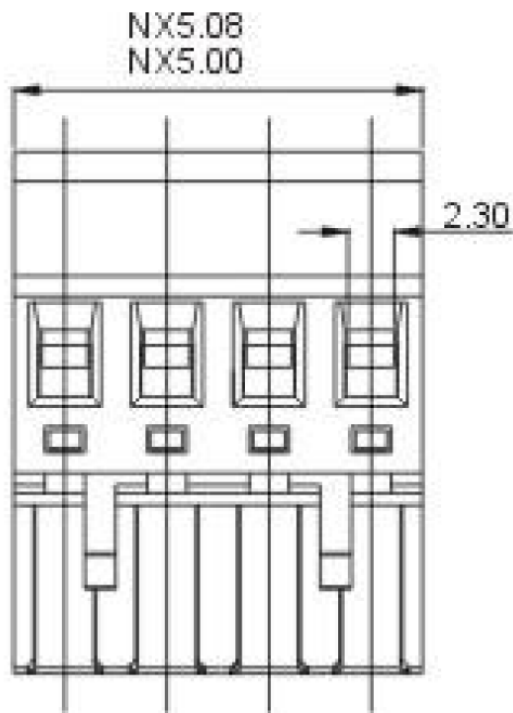


# Product Drawing



|                |  |                         |  |                     |                                       |
|----------------|--|-------------------------|--|---------------------|---------------------------------------|
| <b>Page:</b> 1 |  | <b>Date:</b> 2010-12-03 |  | <b>Description:</b> | Standard Outline Drawing              |
| <b>of:</b> 1   |  | <b>Revision:</b> 1.0    |  |                     |                                       |
|                |  |                         |  | <b>P/N</b>          | <b>VDGKA-5.0</b><br><b>VDGKA-5.08</b> |