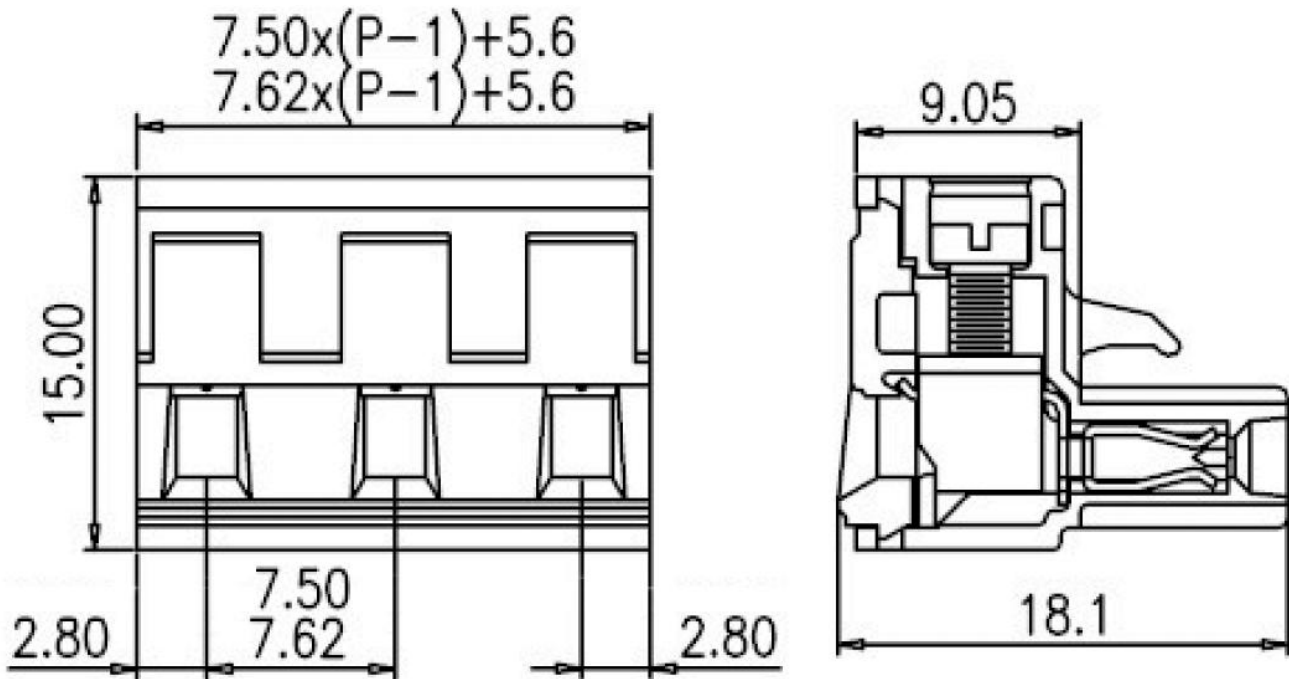
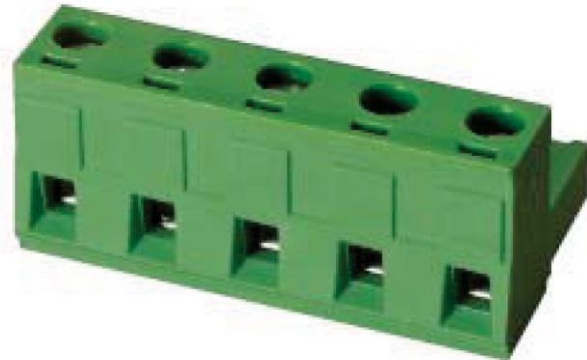


Product Drawing



				Description:	Standard Outline Drawing
Page:	1	Date:	2010-12-15	P/N	VDGK-7.5 VDGK-7.62
of:	1	Revision:	1.0		