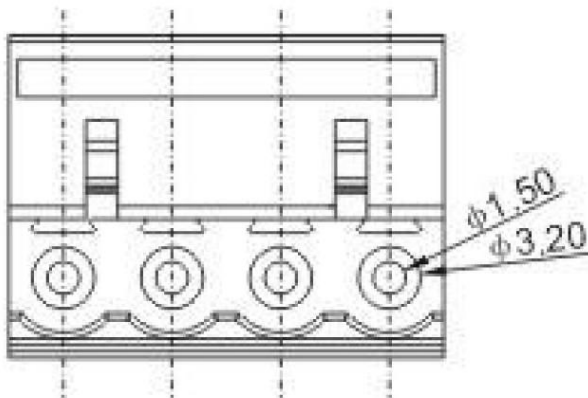
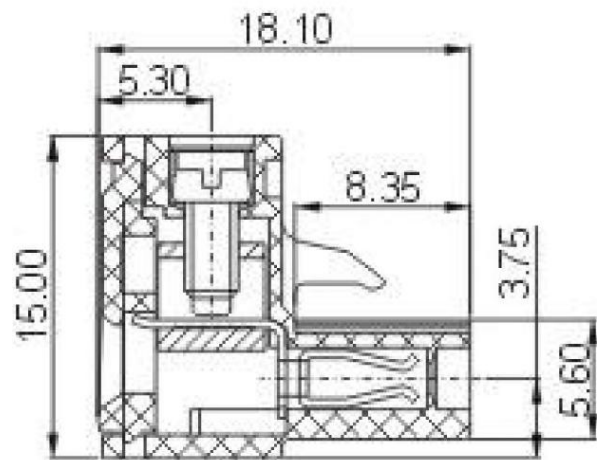
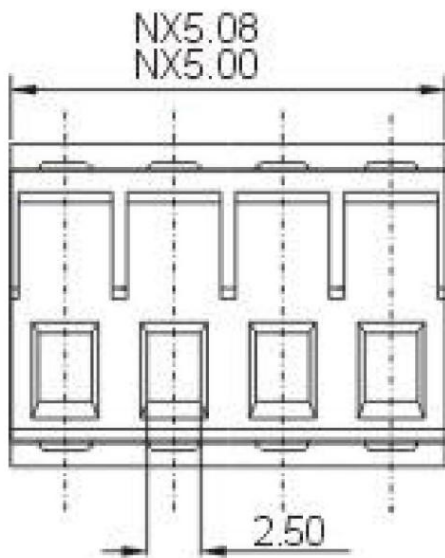


# Product Drawing



				<b>Description:</b>	Standard Outline Drawing
<b>Page:</b>	1	<b>Date:</b>	2010-12-06	P/N	<b>VDGK-5.0</b> <b>VDGK-5.08</b>
<b>of:</b>	1	<b>Revision:</b>	1.0		