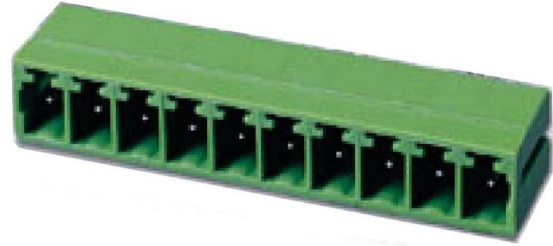
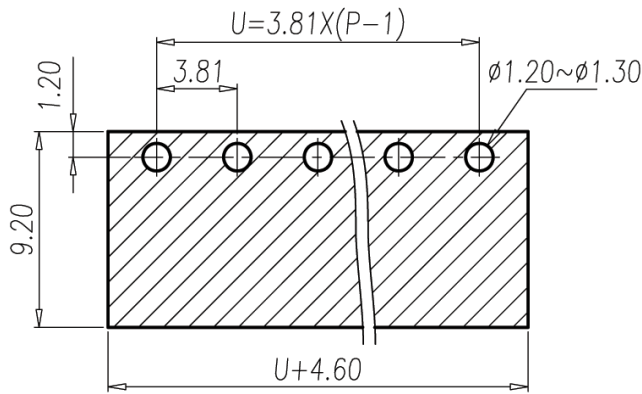
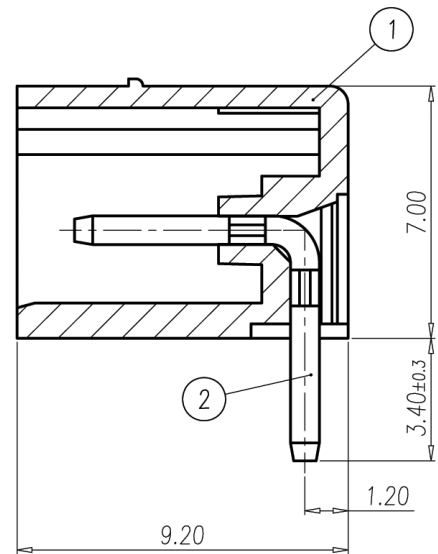
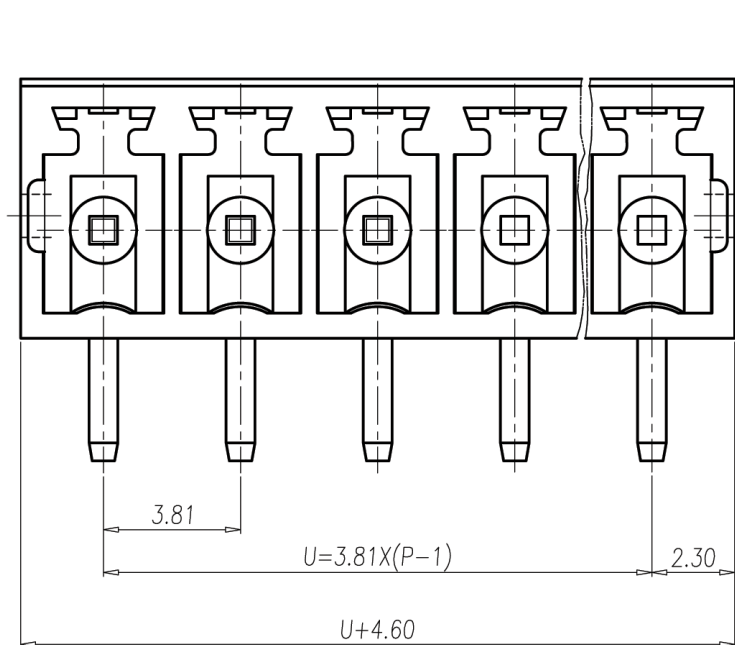


# Product Drawing



P.C.B. LAYOUT

P	2	3	4	5	6	7	8	9	10	11	12	
U	3.81	7.62	11.43	15.24	19.05	22.86	26.67	30.48	34.29	38.1	41.91	
P	13	14	15	16	17	18	19	20	21	22	23	24
U	45.72	49.53	53.34	57.15	60.96	64.77	68.58	72.39	76.2	80.01	83.82	87.63



Page:	1	Date:	2010-12-13	Description:	Standard Outline Drawing
	of:		1		Revision: