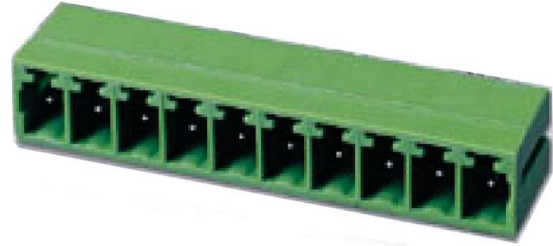
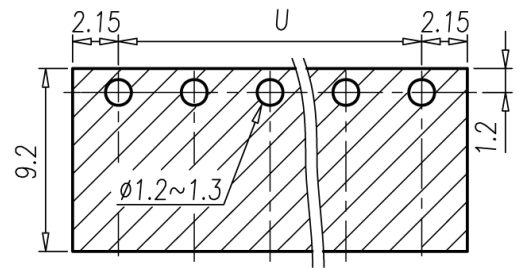


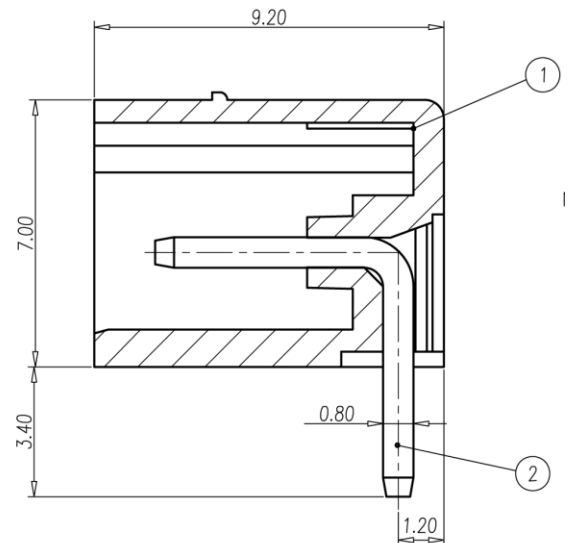
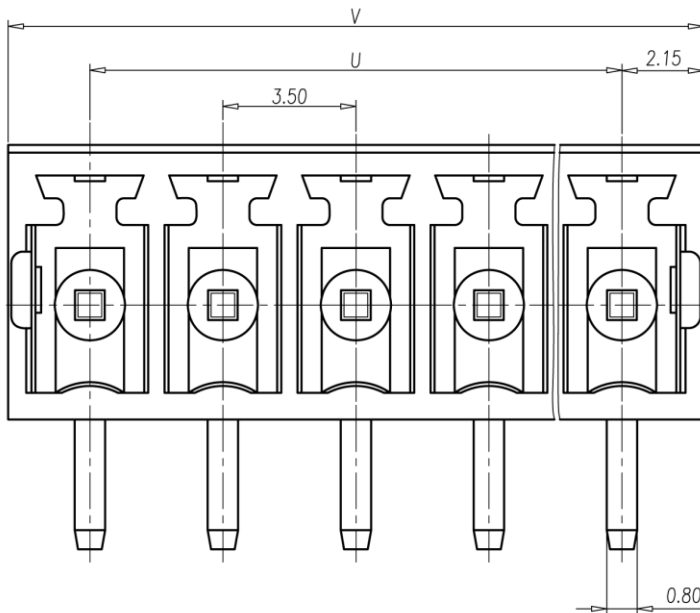
Product Drawing



P	2	3	4	5	6	7	8	9
U	3.50	7.00	10.50	14.00	17.50	21.00	24.50	28.00
V	7.80	11.30	14.80	18.30	21.80	25.30	28.80	32.30
P	10	11	12	13	14	15	16	17
U	31.50	35.00	38.50	42.00	45.50	49.00	52.50	56.00
V	35.80	39.30	42.80	46.30	49.80	53.30	56.80	60.30
P	18	19	20	21	22	23	24	
U	59.50	63.00	66.50	70.00	73.50	77.00	80.50	
V	63.80	67.30	70.80	74.30	77.80	81.30	84.80	



P.C.B. LAYOUT(REF)



Page:	1	Date:	2010-12-13	Description:	Standard Outline Drawing
of:	1	Revision:	1.0	P/N	VDECHR-3.5