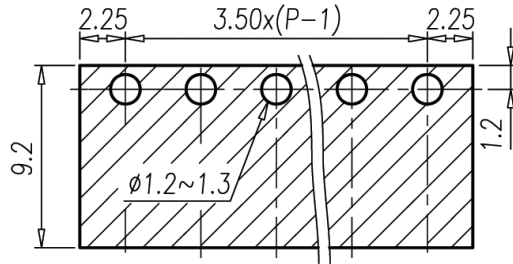
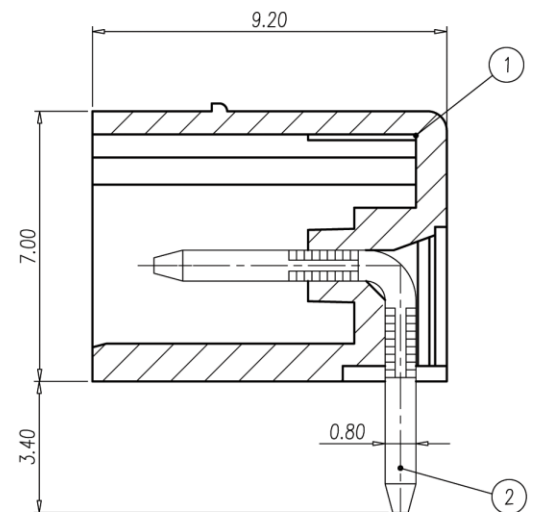
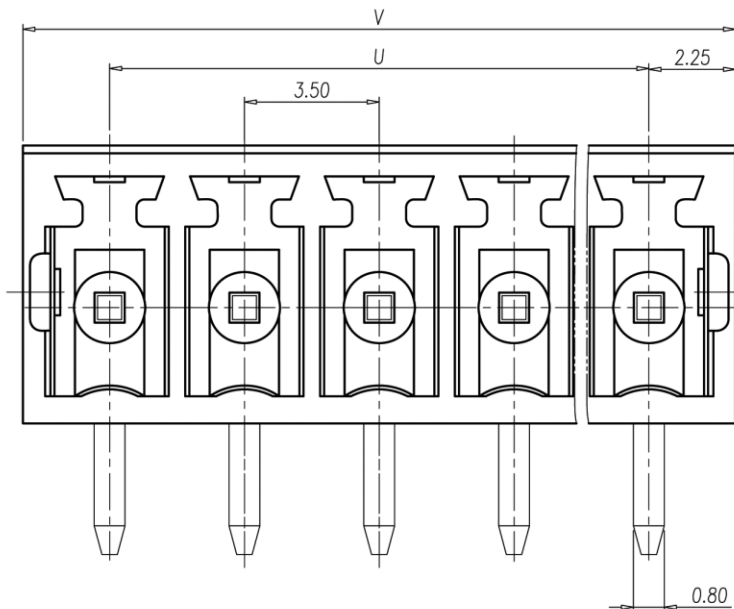


Product Drawing



P.C.B. LAYOUT

P	2	3	4	5	6	7	8	9
U	3.50	7.00	10.50	14.00	17.50	21.00	24.50	28.00
V	8.00	11.50	15.00	18.50	22.00	25.50	29.00	32.50
P	10	11	12	13	14	15	16	17
U	31.50	35.00	38.50	42.00	45.50	49.00	52.50	56.00
V	36.00	39.50	43.00	46.50	50.00	53.50	57.00	60.50
P	18	19	20	21	22	23	24	
U	59.50	63.00	66.50	70.00	73.50	77.00	80.50	
V	64.00	67.50	71.00	74.50	78.00	81.50	85.00	



Page:	1	Date:	2010-12-13	Description:	Standard Outline Drawing
of:	1	Revision:	1.0	P/N	VDECHR-3.5-XXP-THT