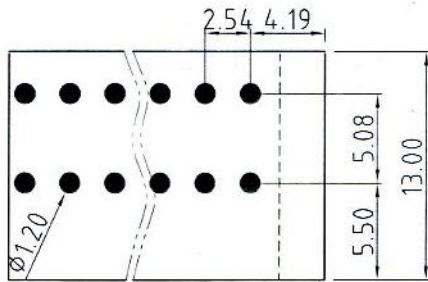
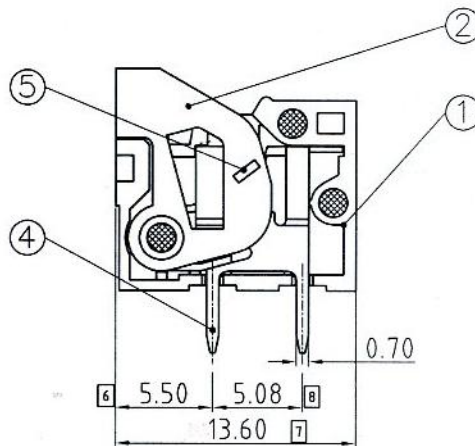
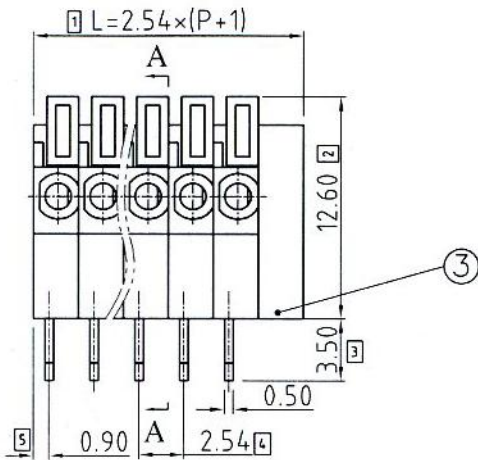
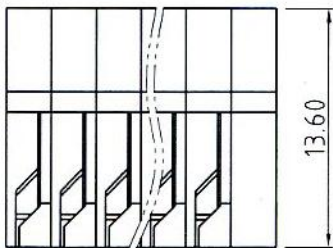
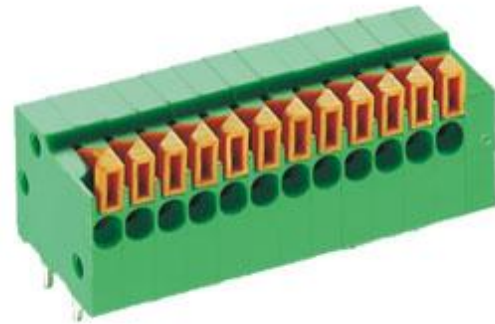


Product Drawing



● FOR PIN
P.C.B LAYOUT



Page: 1		Date: 2011-01-17		Description:	Standard Outline Drawing
of: 1		Revision: 1.0			