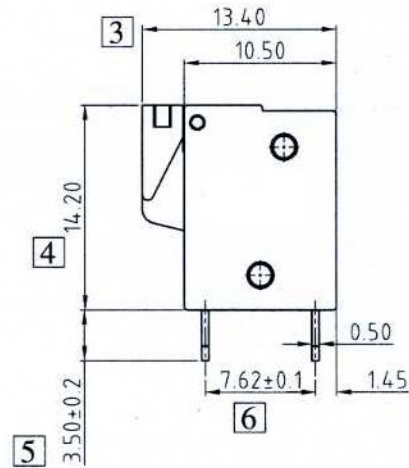
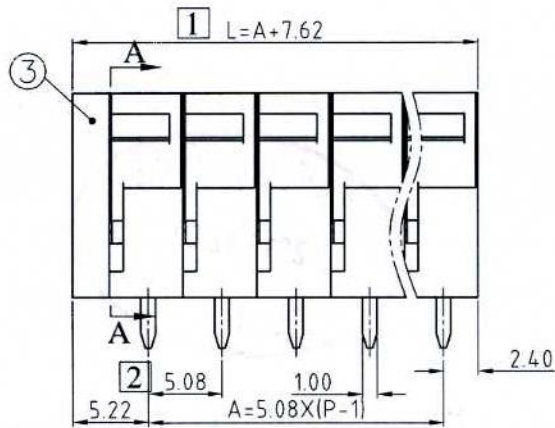
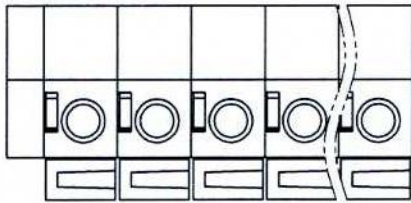
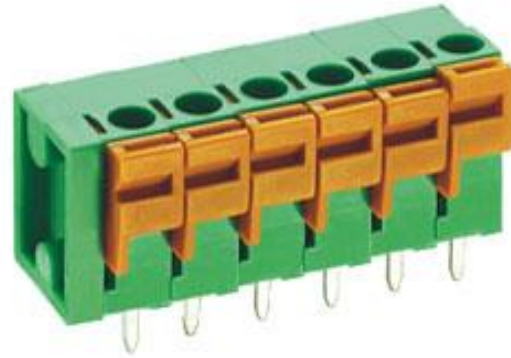
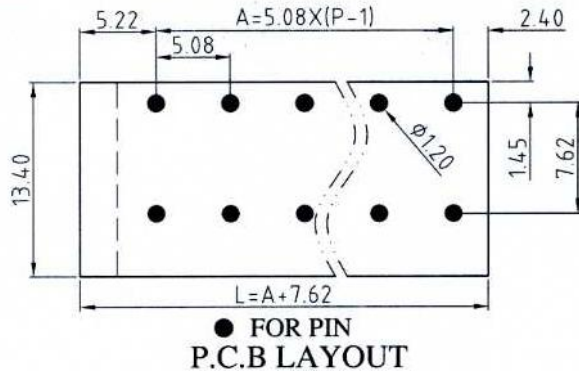


Product Drawing



Page: 1		Date: 2011-01-17		Description: P/N	Standard Outline Drawing VNS300V-5.08
of: 1		Revision: 1.0			