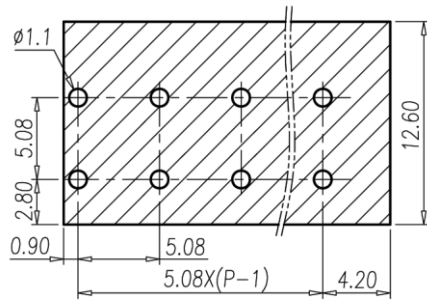
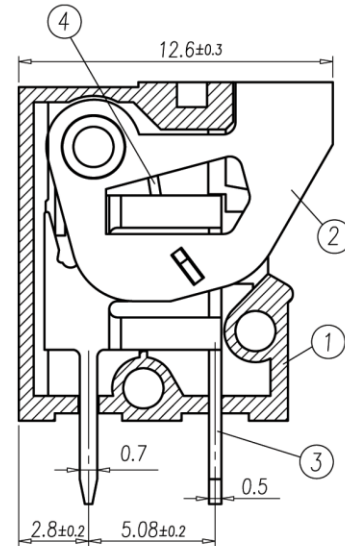
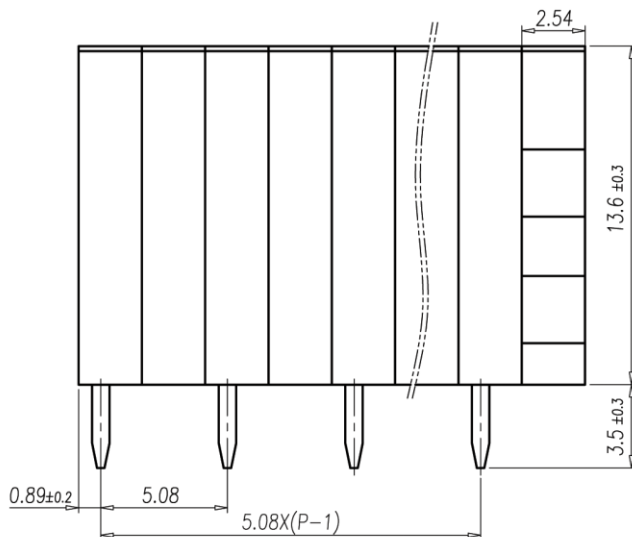
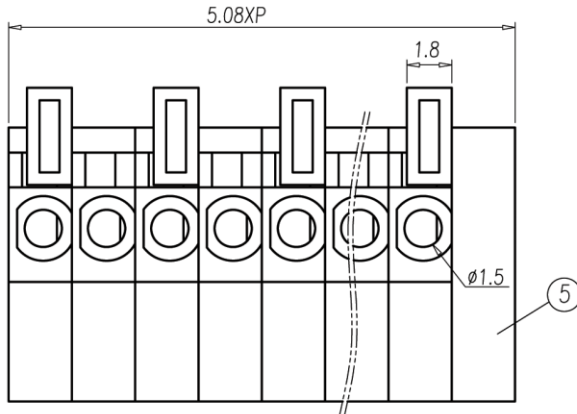


Product Drawing



P.C.B. LAYOUT



Page:	1	Date:	2011-01-20	Description:	Standard Outline Drawing
of:	1	Revision:	1.0	P/N	VNS141V-5.08