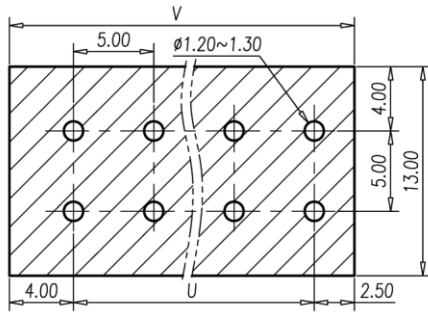
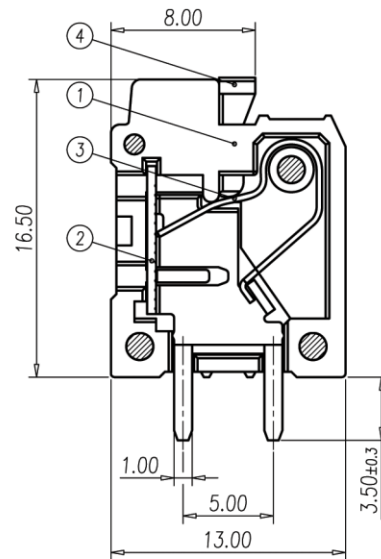
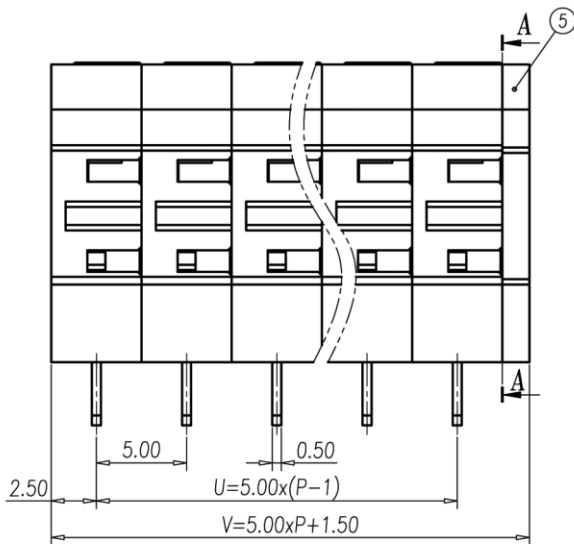
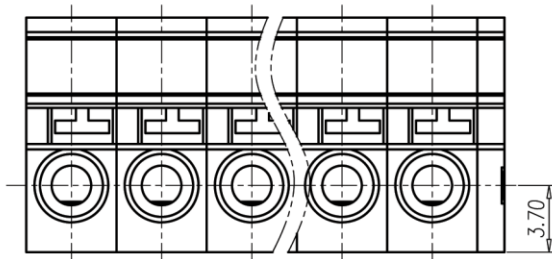


# Product Drawing



PCB LAYOUT



SECTION:A-A

Page:	1	Date:	2011-01-19	Description:	Standard Outline Drawing
of:	1	Revision:	1.0	P/N	VNS1387V-5.0