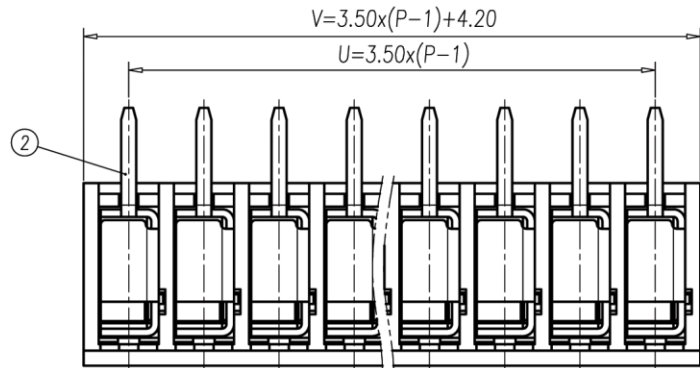
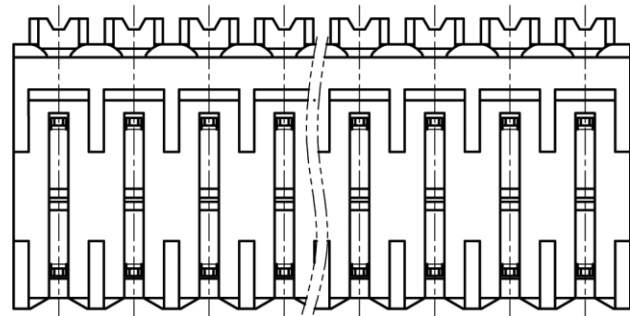
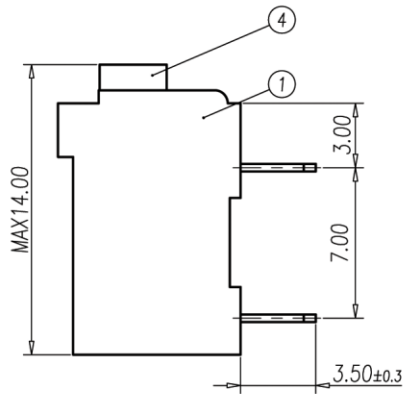
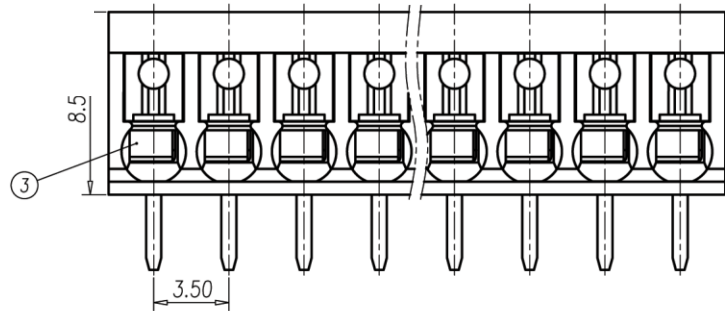
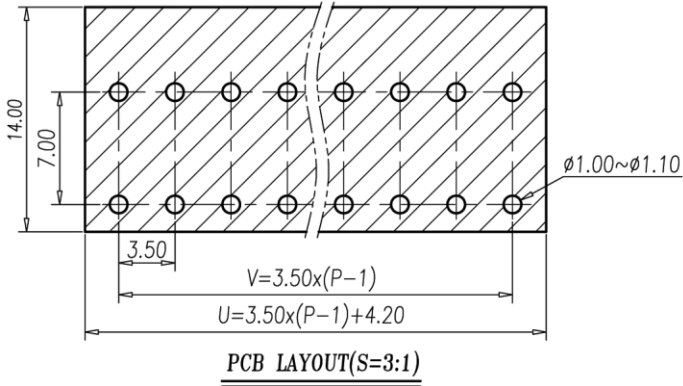


Product Drawing



Page: of:	1 1	Date: Revision:	2011-01-14 1.0	Description:	Standard Outline Drawing
				P/N	VNS1385R-3.5